

Dell™ Latitude™

# SYSTEM INFORMATION

Dell Latitude

Dell™ Latitude™ INFORMATIONS SYSTÈME

Dell™ Latitude™ INFORMAÇÕES SOBRE O SISTEMA

Dell™ Latitude™ INFORMACIÓN DEL SISTEMA

Model PP01L

[www.dell.com](http://www.dell.com)  
[support.dell.com](http://support.dell.com)

**DELL**  **COM**™

# SYSTEM INFORMATION

## **Notes, Notices, and Cautions**

Throughout this guide, blocks of text may be accompanied by an icon and printed in bold type or in italic type. These blocks are notes, notices, and cautions, and they are used as follows:



*NOTE: A NOTE indicates important information that helps you make better use of your computer system.*

**NOTICE: A NOTICE indicates either potential damage to hardware or loss of data and tells you how to avoid the problem.**



**CAUTION: A CAUTION indicates the potential for bodily harm and tells you how to avoid the problem.**

---

**Information in this document is subject to change without notice.  
© 2000 Dell Computer Corporation. All rights reserved.**

Reproduction in any manner whatsoever without the written permission of Dell Computer Corporation is strictly forbidden.

Trademarks used in this text: *Dell, Latitude, DellWare, AccessDirect, DELL E COM* logo are trademarks of Dell Computer Corporation; *Microsoft, Windows, and Windows NT* are registered trademarks of Microsoft Corporation.

Other trademarks and trade names may be used in this document to refer to either the entities claiming the marks and names or their products. Dell Computer Corporation disclaims any proprietary interest in trademarks and trade names other than its own.



# **Dell™ Latitude™ System Information**

Your Dell Latitude portable computer accessories box includes a reduced set of paper documentation. This document contains getting started, safety, and regulatory information about your Dell computer as well as information about other Dell documents that are available and how to obtain them.

## **Other Documents Available**

The following documents are provided with your computer:

- The *Getting Started* placemat, which provides step-by-step instructions for connecting your computer.

*NOTE: The Getting Started placemat is not available in all regions.*



- The *User's Guide*, which is an HTML document that includes descriptions of computer features, instructions on installing and configuring drivers and utilities, information on the System Setup program, and instructions for attaching devices to the connectors on your computer's back panel. The *User's Guide* is located on your hard-disk drive.

You may also have one or more of the following documents:

- Documentation updates, which are sometimes included with your computer to describe changes to your computer or software. Always read these updates *before* consulting any other documentation because the updates often contain the latest information.
- Operating system documentation, which is included if you ordered your operating system software from Dell.
- Documentation included with any options you purchase separately from your computer. This documentation includes information that you need to configure and install these options in your Dell computer.

## **Documents on the Web**

You can obtain the latest versions of any of the documents on your hard-disk drive as well as other troubleshooting information from the support site at <http://support.dell.com>.



## **Safety Instructions**

Use the following safety guidelines to help protect your computer from potential damage and to help ensure your own personal safety.

As you use your computer, observe the following safety guidelines:

- Do not allow your Latitude portable computer to operate with the base resting directly on exposed skin. With extended operation, heat can potentially build up in the base. Allowing sustained contact with the skin could cause discomfort or, eventually, a burn.
- Do not attempt to service the computer yourself. Always follow installation instructions closely.
- Do not carry a battery pack in your pocket, purse, or other container where metal objects (such as car keys) could short-circuit the battery terminals. The resulting excessive current flow can cause extremely high temperatures and may result in damage from burns.
- Be sure that nothing rests on your adapter's power cable and that the cable is not located where it can be tripped over or stepped on.
- Place the AC adapter in a ventilated area, such as a desk top or on the floor, when you use it to run the computer or to charge the battery. Do not cover the AC adapter with papers or other items that will reduce cooling; also, do not use the AC adapter inside a carrying case.
- Do not use your computer in a wet environment, for example, near a bath tub, sink, or swimming pool or in a wet basement.
- Do not push objects into air vents or openings of your computer. Doing so can cause fire or electric shock by shorting out interior components.
- Use only the Dell PA-6 AC adapter approved for use with this computer. Use of another AC adapter may present a risk of fire.
- Use only Dell battery modules that are approved for use with this computer. Use of other types may present a risk of fire or explosion.
- To help prevent electric shock, plug the AC adapter and peripheral power cables into properly grounded power sources. These cables are equipped with three-prong plugs to help ensure proper grounding. Do not use adapter plugs or remove the grounding prong from a cable. If you must use an extension cable, use a three-wire cable with properly grounded plugs.
- If you use an extension cable with your AC adapter, ensure that the total ampere rating of the products plugged into the extension cable does not exceed the ampere rating of the extension cable.

- To remove power from the computer, turn it off, remove the battery pack, and disconnect the AC adapter from the electrical outlet.
- If your computer includes an integrated or optional (PC Card) modem, the cable used with the modem should be manufactured with a minimum wire size of 26 American wire gauge (AWG) and an FCC-compliant RJ-11 modular plug.
- If your computer includes an integrated or optional (PC Card) modem, disconnect the modem cable if an electrical storm approaches to avoid the remote risk of electric shock from lightning via the telephone line.
- To help avoid the potential hazard of electric shock, do not connect or disconnect any cables or perform maintenance or reconfiguration of this product during an electrical storm.
- PC Cards may become very warm during normal operation. Use care when removing PC Cards after their continuous operation.
- Do not dispose of your computer's lithium-ion battery packs in a fire or along with household waste. They may explode. Discard used batteries according to the manufacturers instructions or contact you local waste disposal agency for disposal instructions.
- Clean your computer with a soft cloth dampened with water rather than with liquid or aerosol cleaners which may contain flammable substances.

## **Preparing to Work Inside Your Computer**

Observe the following safety guidelines when working inside your computer.

**NOTICE: The only time you should ever access the inside of your computer is when you are installing memory modules.**

**NOTICE: Wait 5 seconds after turning off the computer before disconnecting a device or removing a memory module to help prevent possible damage to the system board.**



*NOTE: For full instructions, see the User's Guide.*

- Turn off your computer and any attached peripherals.
- Disconnect your computer and any attached peripherals from electrical outlets to reduce the potential for personal injury or shock.
- If the computer is docked, undock it.
- Disconnect any peripherals attached to your computer, including telephone or telecommunication lines.
- Remove the main battery from the battery bay and, if necessary, the secondary battery from the modular bay.
- Ground yourself by touching the unpainted metal surface of an input/output (I/O) connector on the back of the computer.
- While you work, periodically touch the I/O panel to dissipate any static electricity that might harm internal components.

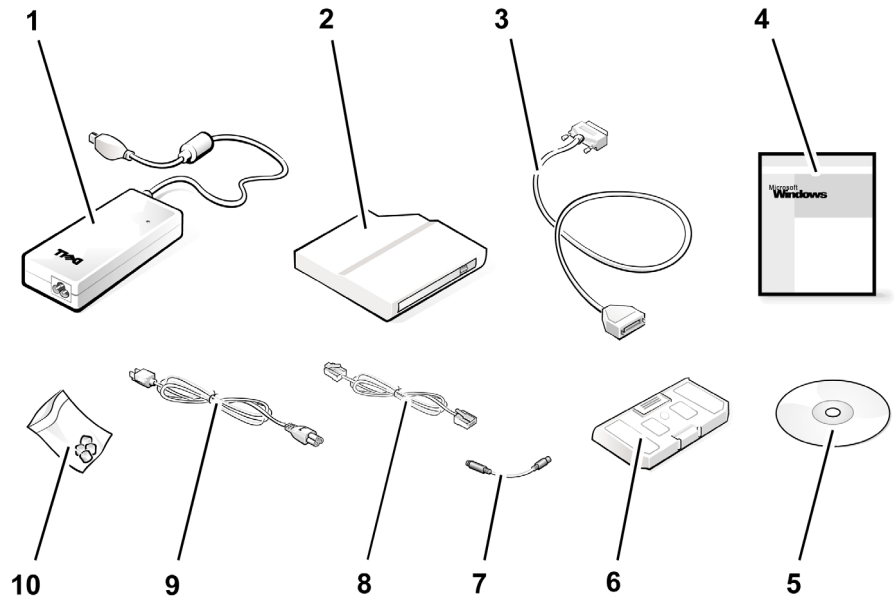
## **General EMC Guidelines**

- **Shielded signal cables:** Using shielded cables ensures that you maintain the appropriate EMC classification for the intended environment. For parallel printers, a cable is available from Dell Computer Corporation. If you prefer, you can order a cable from Dell Computer Corporation on the World Wide Web at **<http://www.dell.com>**.
- **Protecting against Electrostatic Discharge:** Static electricity can harm electronic components inside your computer. To prevent static damage, discharge static electricity from your body before you touch any of your computer's electronic components, such as a memory module. You can do so by touching an unpainted metal surface on the computer's I/O panel.
- **Electromagnetic Interference (EMI)** is any signal or emission, radiated in free space or conducted along power or signal leads, that endangers the functioning of a radio navigation or other safety service or seriously degrades, obstructs, or repeatedly interrupts a licensed radio communications service. Your Dell computer is designed to comply with applicable regulations regarding EMI. Changes or modifications not expressly approved by Dell could void your authority to operate the equipment. Additional regulatory information regarding your computer can be found in your online *User's Guide*.

# Getting Started

To set up your computer, perform the following steps:

1. Unpack the accessories box (see Figure 1-1).
2. Set aside the contents of the accessories box, which you will need to complete the setup of your computer.



**Figure 1-1. Accessories Box Contents**

---

1	AC adapter	6	Travel module
2	CD-ROM drive module	7	TV-out adapter cable
3	Floppy-disk drive cable	8	Cable for optional modem
4	Operating system documentation	9	AC adapter power cable
5	<i>ResourceCD</i>	10	Track stick caps

---

The accessories box also contains user documentation and any software or additional hardware (such as PC Cards, drives, or batteries) you have ordered.



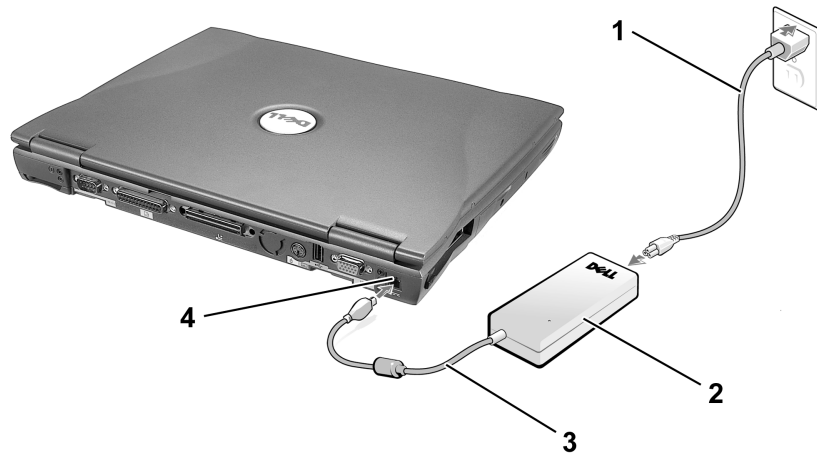


## Connecting the AC Adapter

*NOTE: A partially charged battery is already installed in the computer, but Dell recommends that you attach the AC adapter now so that the battery can complete its charge and the operating system setup can proceed without interruption.*

To connect your computer to the AC adapter, perform the following steps:

1. Plug the AC adapter's attached cable into the AC adapter connector on the computer (see Figure 1-2).



**Figure 1-2. Connecting the AC Adapter**

---

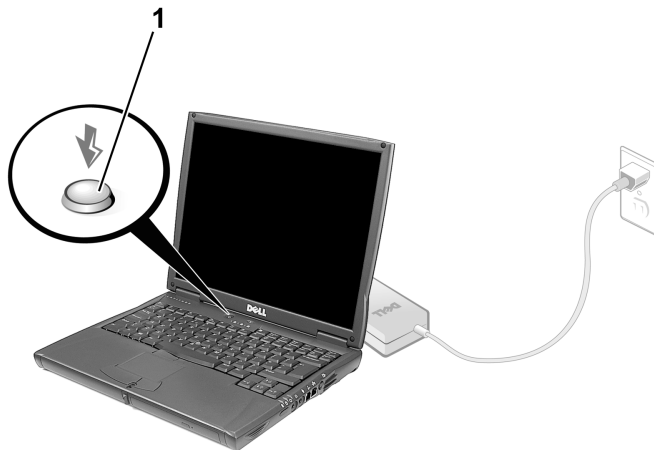
<b>1</b>	AC adapter power cable	<b>3</b>	AC adapter cable
<b>2</b>	AC adapter	<b>4</b>	AC adapter connector

---

2. Plug the AC adapter power cable into the AC adapter.
3. Plug the AC adapter power cable into an electrical outlet.

## Turning On the Computer

To turn on the computer, open the computer display and press the power button (see Figure 1-3).



**Figure 1-3. Turning On the Computer**

---

**1** Power button

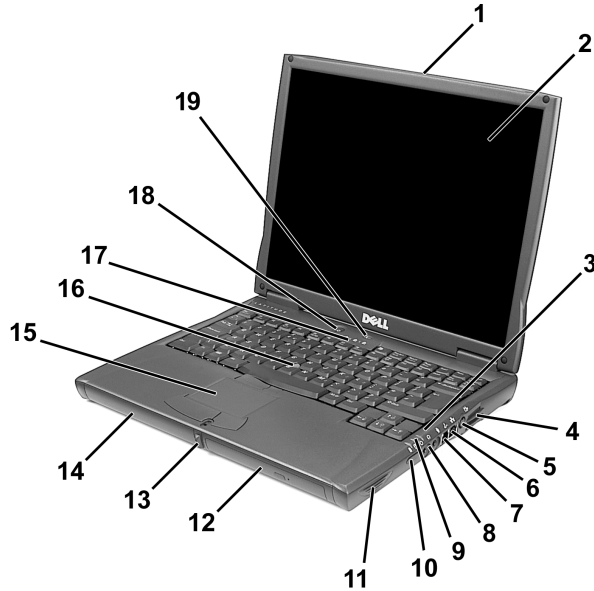
---



*NOTE: Do not dock the computer until it has been turned on and shut down at least once.*

## Computer Components

Figures 1-4 and 1-5 show the locations of the computer's components.

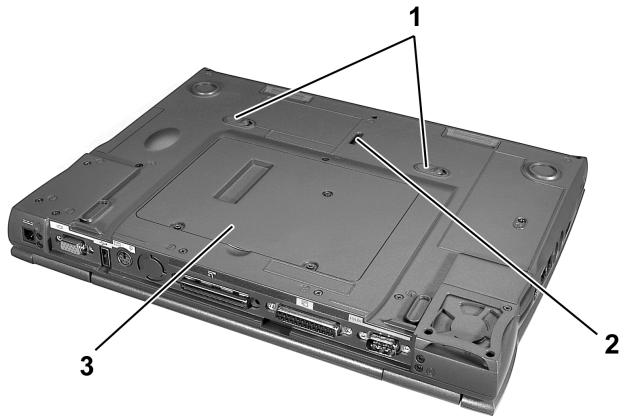


**Figure 1-4. Front View of Computer**

---

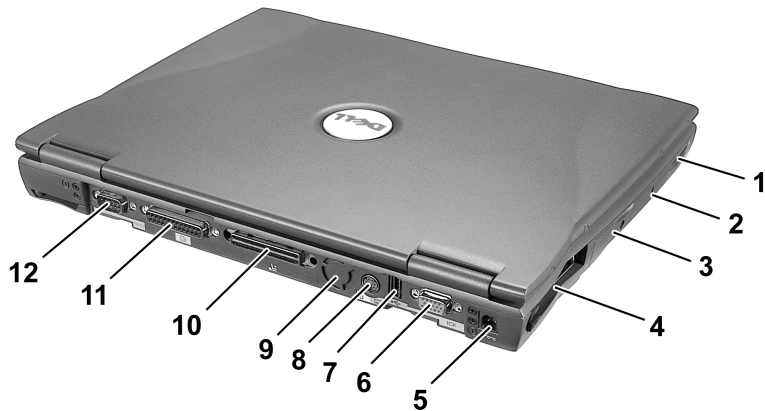
<b>1</b>	Display latch	<b>11</b>	Speaker
<b>2</b>	Display	<b>12</b>	Modular bay
<b>3</b>	Microphone	<b>13</b>	Display latch button
<b>4</b>	Air outlet	<b>14</b>	Battery bay
<b>5</b>	S-Video connector	<b>15</b>	Touch pad
<b>6</b>	Optional network connector	<b>16</b>	Track stick
<b>7</b>	Optional modem connector	<b>17</b>	Keyboard status lights
<b>8</b>	Audio jacks (2)	<b>18</b>	Power button
<b>9</b>	System status lights	<b>19</b>	Dell AccessDirect™ key
<b>10</b>	Infrared port		

---



**Figure 1-5. Bottom View of the Computer**

- 
- |          |                        |          |                                  |
|----------|------------------------|----------|----------------------------------|
| <b>1</b> | Module release latches | <b>3</b> | Memory module and mini-PCI cover |
| <b>2</b> | Docking security latch |          |                                  |
-



**Figure 1-6. Back View of the Computer**

---

1	Speaker	7	USB connector
2	Security cable slot	8	PS/2 connector
3	Hard-disk drive	9	Fan
4	PC Card slots (2)	10	Docking connector
5	AC adapter connector	11	Parallel connector
6	Video connector	12	Serial connector

---

### **Replacing the Main Battery**



**CAUTION:** Using the wrong battery type may present a risk of fire or explosion. Replace the battery only with the same or equivalent type purchased from Dell. You can use your computer's battery in any Latitude C-Family computer except for the Latitude CS or CSx computers. Do not attempt to use the battery in CS or CSx, and do not use a battery from those computers in your computer.

**NOTICE:** To avoid data loss, do not replace a battery while the computer is turned on unless the computer is connected to an electrical outlet or a second battery is installed.

**NOTICE:** Only use lithium ion batteries in your computer. The computer does not support nickel-metal hydride (NiMH) batteries. If you install a NiMH battery, the battery status lights blink alternately green and amber.

Before installing a new battery, check the battery's charge, by pressing the battery test button. The battery gauge will not light if the battery is completely drained.

To replace a battery in the battery bay, perform the following steps.



*NOTE: For full instructions, see your User's Guide.*

1. Save your work and close all open files and application programs.
2. If the computer is docked, undock it.
3. If the modular bay contains a battery, go to step 5.
4. If the only battery in the computer is in the battery bay, either connect the computer to an electrical outlet or preserve your data in one of these ways.

**NOTICE: If you choose to replace the battery with the computer in suspend (or standby) mode, you have up to 4 minutes to complete the battery replacement. After 4 minutes, the computer shuts down and you will lose any unsaved data.**

- For Windows<sup>®</sup> 95, Windows 98, or Windows NT<sup>®</sup>, use suspend or standby mode.

Place the computer in suspend mode by pressing <Fn><Esc> (or <Scroll Lock><Esc> on an external keyboard if the **External Hot Key** option is enabled in the System Setup program).

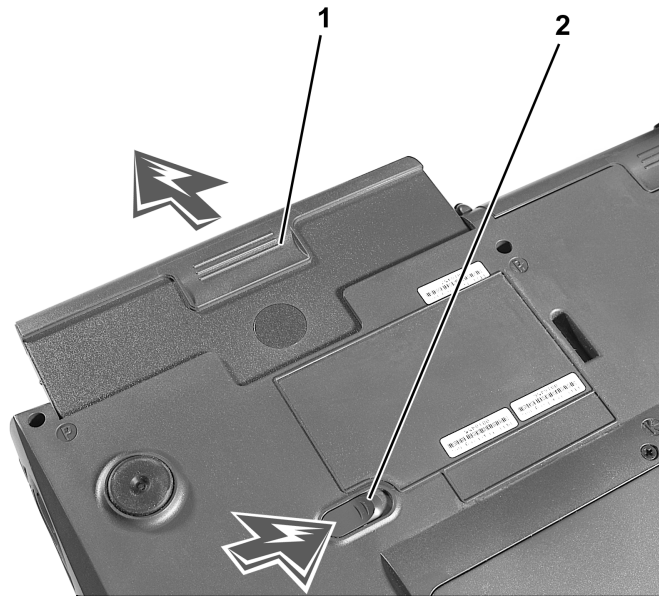
- For Windows 95, Windows 98, or Windows NT, use suspend-to-disk mode.

Place the computer in suspend-to-disk mode by pressing <Fn><a> (or <Fn><q> on a French keyboard). When the green power indicator turns off, continue.

- For Windows 2000, use hibernate mode.

Depending on how you set your power management modes for Windows 2000, place the computer in hibernate mode by clicking the **Start** button, clicking **Shut Down**, and clicking **Hibernate**; or closing the display.

5. Remove the battery from the battery bay:
  - a. Close the computer display and turn the computer over.
  - b. Slide the battery bay to the side (see Figure 1-6). Hold the latch with one hand while pulling the battery out of the bay with the other hand.
  - c. Release the latch after you remove the battery.



**Figure 1-7. Removing a Battery From the Battery Bay**

- 
- 1** Battery
  - 2** Battery bay latch
- 

6. Slide the new battery firmly into the battery bay. You should hear a click when the battery is fully seated.
7. Depending on the power management mode the computer is in, press the power button or open the display to resume normal operation.

## **NOM Information (Mexico Only)**

The following information is provided on the device(s) described in this document in compliance with the requirements of the official Mexican standards (NOM):

Exporter:	Dell Computer Corporation One Dell Way Round Rock, TX 78682
Importer:	Dell Computer de México, S.A. de C.V. Rio Lerma No. 302 - 4° Piso Col. Cuauhtemoc 16500 México, D.F.
Ship to:	Dell Computer de México, S.A. de C.V. al Cuidado de Kuehne & Nagel de México S. de R.l. Avenida Soles No. 55 Col. Peñon de los Baños 15520 México, D.F.
Supply voltage:	100-240 VAC
Frequency:	60-50 Hz
Current consumption (maximum):	1.5 A
Output voltage	20 VDC
Output current (maximum)	3.5 A



## **Información para NOM (únicamente para México)**

La información siguiente se proporciona en el dispositivo o en los dispositivos descritos en este documento, en cumplimiento con los requisitos de la Norma Oficial Mexicana (NOM):

Exportador:	Dell Computer Corporation One Dell Way Round Rock, TX 78682
Importador:	Dell Computer de México, S.A. de C.V. Río Lerma No. 302 - 4° Piso Col. Cuauhtemoc 1650 México, D.F.
Embarcar a:	Dell Computer de México, S.A. de C.V. al Cuidado de Kuehne & Nagel de México S. de R.L. Avenida Soles No. 55 Col. Peñón de los Baños 15520 México, D.F.
Tensión alimentación:	100-240 VCA
Frecuencia:	60-50 Hz
Consumo de corriente (máxima):	1,5 A
Voltaje de salida:	20 VDC
Corriente de salida (máxima):	3,5 A

# Getting Help

Dell provides a number of tools to help you if your computer does not perform as expected. For information on these help tools, see your *User's Guide*.

If you have a computer problem and are unable to access the online *User's Guide*, use the Dell Diagnostics to help you determine the cause of the problem and to help you solve it. The Diagnostics are on the *ResourceCD* that came with your computer.



*NOTE: Run the Diagnostics before you call Dell's technical support because the diagnostic tests provide information you may need when you call.*

To start the Diagnostics, perform the following steps:

1. Turn off the computer.
2. Undock the computer if you have it docked.
3. Turn on the computer.
4. Press <F2> at the start of the boot routine to access the system setup menu.



*NOTE: Write down your current boot sequence in the event you want to restore it after running the Dell Diagnostics.*

5. Select the following boot sequence:
  - **Boot First Device: Diskette Drive**
  - **Boot Second Device: CD/DVD/CD-RW Drive**
  - **Boot Third Device: Internal HDD**
6. Insert the Dell *ResourceCD* into the CD-ROM drive.
7. Turn the computer off.
8. Turn the computer on. The computer starts and automatically begins to run the Dell Diagnostics.
9. When you have completed running diagnostics, remove the *ResourceCD* from the CD-ROM drive.

To change the boot sequence, repeat steps 1 through 6, customizing the boot sequence to fit your needs. Then restart your computer.

When you start the diagnostics, the Dell logo screen appears, followed by a message telling you that the diagnostics is loading. After the diagnostics loads, the Diagnostics Menu appears.

To select an option from this menu, highlight the option and press <Enter>, or press the key that corresponds to the highlighted letter in the option you choose.



Dell™ Latitude™

# INFORMATIONS SYSTÈME

[www.dell.com](http://www.dell.com)  
[support.dell.com](http://support.dell.com)

**DELL**  **COM**™

## **Remarques, avis et précautions**

Dans ce guide, certains blocs de texte sont accompagnés d'une icône et imprimés en caractères gras ou en caractères italiques. Ces paragraphes correspondent à des remarques, des avis et des précautions qui sont utilisés comme suit :



*REMARQUE* : Une *REMARQUE* fournit des informations importantes qui vous aident à mieux utiliser votre système.

**AVIS** : Un **AVIS** vous avertit d'un risque de dommage matériel ou de perte de données et vous indique comment éviter le problème.



**PRÉCAUTION** : Une **PRÉCAUTION** vous avertit d'un risque de blessure corporelle et vous indique comment éviter le problème.

---

**Les informations contenues dans ce document sont sujettes à modification sans préavis.  
© 2000 Dell Computer Corporation. Tous droits réservés.**

Toute reproduction sous quelque forme que ce soit sans l'autorisation écrite de Dell est strictement interdite.

Marques utilisées dans ce document : *Dell, Latitude, DellWare, AccessDirect, le logo DELL E COM* sont des marques de Dell Computer Corporation ; *Microsoft, Windows* et *Windows NT* sont des marques déposées de Microsoft Corporation.

D'autres marques et noms commerciaux peuvent être utilisés dans ce document pour faire référence à des entités se réclamant de ces marques et de ces noms ou à leurs produits. Dell Computer Corporation exclut tout intérêt propriétaire dans les marques et les noms commerciaux autres que les siens.



# Dell™ Latitude™

## Informations système

La boîte d'accessoires de votre ordinateur portable Dell Latitude contient peu de documentation papier. Cette documentation comprend des informations de mise en route, de sécurité et légales relatives à votre ordinateur Dell ainsi que des informations concernant les autres documents Dell disponibles et la façon de vous les procurer.

### Autres documents disponibles

Les documents suivants sont fournis avec votre ordinateur :

- La fiche *Mise en route* qui indique les instructions étapes par étapes pour la connexion de votre ordinateur.



*REMARQUE : La fiche Mise en route n'est pas disponible dans toutes les régions.*

- Le *Guide d'utilisation*, document HTML contenant la description des caractéristiques de l'ordinateur, des instructions sur l'installation et la configuration des pilotes et des utilitaires, des informations sur le programme de configuration du système et des instructions sur le raccordement des périphériques aux connecteurs du panneau arrière de l'ordinateur. Le *Guide d'utilisation* se trouve sur votre unité de disque dur.

Vous pouvez également avoir un ou plusieurs des documents suivants :

- Les mises à jour de documentation, parfois fournies avec l'ordinateur, décrivant les modifications apportées à l'ordinateur ou au logiciel. Prenez le temps de lire ces mises à jour *avant* de consulter d'autres documentations, car elles contiennent souvent les informations les plus récentes.
- La documentation relative au système d'exploitation, incluse si vous avez commandé votre système d'exploitation auprès de Dell.
- La documentation relative aux options que vous avez acquises séparément. Cette documentation contient des informations nécessaires pour la configuration et l'installation de ces options sur votre ordinateur Dell.

## **Documents disponibles sur le Web**

Vous pouvez obtenir les dernières versions des documents sur votre disque dur ainsi que des informations permettant de résoudre les problèmes sur le site de support à l'adresse <http://support.dell.com>.



## **Consignes de sécurité**

Utilisez les consignes de sécurité suivantes pour vous aider à protéger votre ordinateur de dommages éventuels et pour garantir votre sécurité personnelle.

Lorsque vous utilisez votre ordinateur, observez les consignes de sécurité suivantes :

- Évitez de poser votre ordinateur portable Latitude en fonctionnement à même la peau. À la longue, la chaleur peut éventuellement se répandre à la base. Le contact prolongé avec la peau peut provoquer un inconfort ou même une brûlure.
- N'essayez pas de réparer l'ordinateur vous-même. Suivez toujours de près les instructions d'installation.
- Ne transportez pas de batterie d'ordinateur dans votre poche, dans votre sac ou dans tout autre conteneur contenant également des objets en métal (des clés, par exemple) qui pourraient court-circuiter les bornes de la batterie. Le courant résultant peut occasionner des températures très élevées et causer des brûlures.
- Assurez-vous que rien ne repose sur le cordon d'alimentation de l'adaptateur et que ce cordon n'est pas placé dans un endroit où l'on pourrait marcher ou trébucher dessus.
- L'adaptateur CA/CC doit se trouver dans une zone aérée, par exemple sur un bureau ou sur le sol, lorsqu'il est utilisé pour alimenter l'ordinateur ou pour charger la batterie. Ne couvrez pas l'adaptateur CA/CC de papiers ou d'autres objets susceptibles d'empêcher son refroidissement. N'utilisez pas l'adaptateur CA/CC à l'intérieur d'une mallette de transport.
- N'utilisez pas votre ordinateur dans un environnement humide, par exemple près d'une baignoire, d'un évier, d'une piscine ou dans un sous-sol humide.
- N'insérez pas d'objets dans les orifices d'aération ou dans les ouvertures de votre ordinateur. Ceci peut créer un incendie ou un choc électrique en mettant des composants internes en court-circuit.
- Utilisez uniquement un adaptateur CA/CC de type Dell PA-6 homologué pour une utilisation avec cet ordinateur. Utilisez l'adaptateur CA/CC peuvent présenter un risque d'incendie.
- Utilisez uniquement des modules de batterie homologués pour une utilisation avec cet ordinateur. Le recours à d'autres types d'adaptateur CA/CC présente un risque d'incendie ou d'explosion.

- Pour éviter tout choc électrique, branchez l'adaptateur CA/CC et les cordons d'alimentation électrique de l'ordinateur et de ses périphériques dans des prises possédant un circuit de mise à la terre adéquat. Ces câbles électriques sont équipés de connecteurs à trois broches pour assurer une mise à la terre correcte. N'utilisez pas de prises d'adaptation et n'essayez pas de contourner la mise à la terre. Si vous devez utiliser une rallonge, utilisez une rallonge à trois fils avec des prises de terre.
- Si vous raccordez une rallonge à votre adaptateur CA/CC, assurez-vous que l'intensité totale du courant drainé par tous les appareils raccordés à cette rallonge ne dépasse pas la limite de cette dernière.
- Pour mettre l'ordinateur totalement hors tension, éteignez-le, retirez sa batterie et débranchez l'adaptateur CA/CC de la prise de courant.
- Si votre ordinateur comprend un modem intégré ou en option (carte PC), le câble utilisé avec le modem doit être de type 26 AWG (American wire gauge), et comporter une fiche modulaire conforme à la norme FCC RJ-11.
- Si votre ordinateur comprend un modem intégré ou en option (carte PC), débranchez le câble du en cas d'orage électrique pour éviter le risque très faible de choc électrique causé par un éclair et transmis par la ligne téléphonique.
- Pour réduire le danger lié à un choc électrique, n'effectuez aucun branchement ou débranchement pendant un orage électrique, ni aucune opération de maintenance ou de reconfiguration de ce produit.
- Une carte PC peut chauffer considérablement en fonctionnement normal. Soyez prudent lorsque vous retirez de l'ordinateur une carte PC qui vient de fonctionner pendant un certain temps.
- Ne jetez pas la batterie au lithium-ion de votre ordinateur au feu ou avec vos déchets ménagers. Elle pourrait exploser. Pour savoir comment vous débarrasser des batteries usées, suivez les instructions du fabricant ou prenez contact avec une agence traitant les déchets proche de chez vous.
- Nettoyez votre ordinateur à l'aide d'un chiffon doux humidifié à l'eau plutôt qu'avec un nettoyant liquide ou sous forme d'aérosol qui peut contenir des substances inflammables.

## **Préparation de l'intervention à de l'intérieur de l'ordinateur**

Observez les consignes de sécurité suivantes lors de l'intervention à l'intérieur de l'ordinateur.

**AVIS : Vous ne devez intervenir à l'intérieur de l'ordinateur que pour installer des modules de mémoire.**

**AVIS : Patientez 5 secondes après avoir éteint l'ordinateur pour déconnecter un périphérique ou retirer un module de mémoire, afin d'éviter d'endommager la carte système.**



*REMARQUE : Pour obtenir des instructions, consultez le Guide d'utilisation.*



- Éteignez l'ordinateur ainsi que les périphériques connectés.
- Déconnectez votre ordinateur et tous les périphériques connectés de leurs prises électriques pour réduire le risque de blessure ou de choc.
- Si l'ordinateur est amarré, débranchez-le.
- Déconnectez tous les périphériques connectés à votre ordinateur, notamment les lignes téléphoniques ou de télécommunication.
- Retirez la batterie principale de la baie de batterie et, si nécessaire, la batterie secondaire de la baie modulaire.
- Mettez-vous à la masse en touchant une surface métallique non peinte d'un connecteur d'entrée sortie situé à l'arrière de l'ordinateur.
- Pendant votre travail à l'intérieur de l'ordinateur, touchez régulièrement le panneau d'E/S pour dissiper toute électricité statique qui pourrait endommager les composants internes.

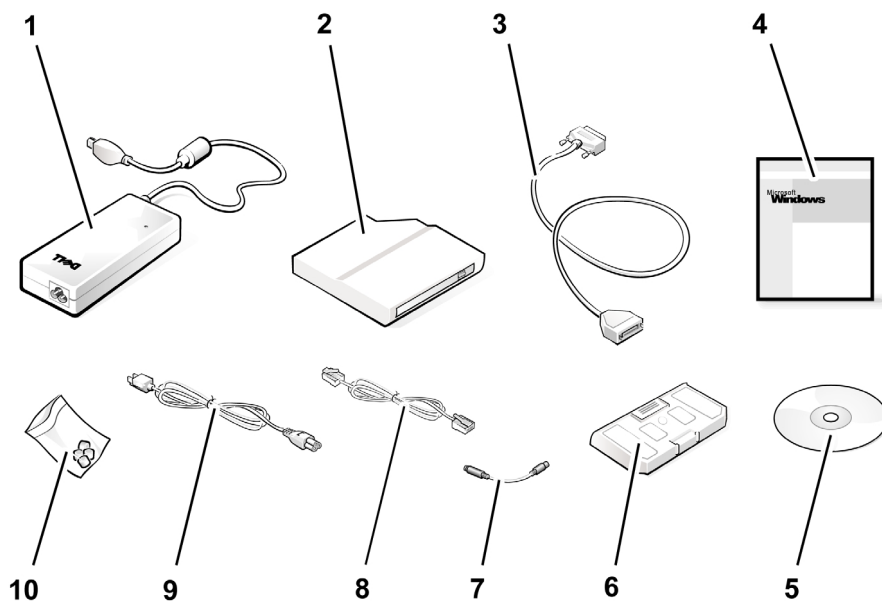
## **Consignes ECM générales**

- Câbles de transmission de signaux blindés : L'utilisation de câbles blindés permet de garantir que vous gardez la classification ECM appropriée pour l'environnement donné. Pour les imprimantes parallèles, un câble approprié peut être obtenu auprès de Dell. Si vous préférez, vous pouvez commander un câble auprès de Dell sur le site Internet <http://www.dell.com>.
- Protection contre les décharges électrostatiques L'électricité statique peut endommager les composants électroniques situés à l'intérieur de votre ordinateur. Pour éviter de tels dommages, déchargez l'électricité statique de votre corps avant de toucher tout composant électronique de votre ordinateur, comme un module de mémoire. Pour ce faire, touchez une surface métallique non peinte du panneau des entrées-sorties de l'ordinateur.
- Les interférences électromagnétiques constituent des signaux ou émissions, dans un espace libre ou conduit par les cordons d'alimentation ou de signal, qui menacent le fonctionnement de la radionavigation, des services de sécurité ou qui dégradent sérieusement, obstruent ou interrompent régulièrement les services autorisés de communications radio. Votre ordinateur Dell est conçu pour satisfaire aux réglementations applicables en matière d'interférences électromagnétiques. Les changements et modifications non explicitement approuvés par Dell peuvent invalider votre droit d'utilisation de l'équipement. Pour des informations complémentaires sur votre ordinateur, vous pouvez consulter le *Guide d'utilisation* en ligne.

## Mise en route

Pour configurer votre ordinateur, procédez comme suit :

1. Déballagez les accessoires (voir figure 2-1).
2. Mettez de côté le contenu de la boîte d'accessoires ; vous en aurez besoin ultérieurement pour compléter la configuration.



**Figure 2-1. Contenu de la boîte des accessoires**

1	Adaptateur CA/CC	6	Module de voyage
2	Module du lecteur de CD-ROM	7	Câble d'adaptateur de sortie TV
3	Câble du lecteur de disquette	8	Câble de modem facultatif
4	Documentation du système d'exploitation	9	Cordon d'alimentation de l'adaptateur CA/CC
5	ResourceCD	10	Couvercles de trackstick

La boîte d'accessoires contient également la documentation utilisateur et tout autre logiciel ou matériel supplémentaire (cartes PC, lecteurs, batteries, etc.) commandés.

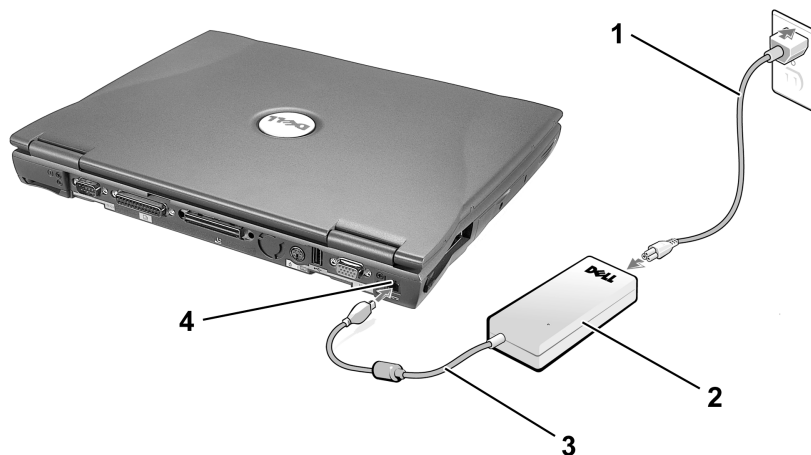


## Connexion de l'adaptateur CA/CC

*REMARQUE : Une batterie partiellement chargée est déjà installée dans l'ordinateur, cependant Dell vous recommande de raccorder l'adaptateur CA/CC tout de suite de sorte que la batterie continue de se charger et que l'installation du système d'exploitation s'effectue sans interruption.*

Pour raccorder votre ordinateur à l'adaptateur CA/CC, procédez comme suit :

1. Raccordez le câble de l'adaptateur CA/CC au connecteur situé sur l'ordinateur (voir figure 2-2).



**Figure 2-2. Connexion de l'adaptateur CA/CC**

---

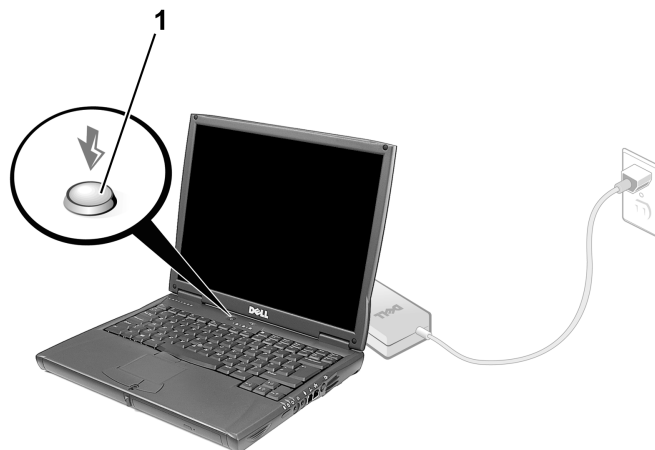
<b>1</b> Cordon d'alimentation de l'adaptateur CA/CC	<b>3</b> Câble d'adaptateur CA/CC
<b>2</b> Adaptateur CA/CC	<b>4</b> Connecteur de l'adaptateur CA/CC

---

2. Raccordez le cordon d'alimentation de l'adaptateur CA/CC à l'adaptateur CA/CC.
3. Branchez le câble de l'adaptateur CA/CC dans une prise électrique.

## **Mise sous tension de l'ordinateur**

Pour mettre l'ordinateur sous tension, ouvrez l'écran et appuyez sur le bouton d'alimentation (voir figure 2-3).



**Figure 2-3. Mise sous tension de l'ordinateur**

---

**1** Bouton d'alimentation

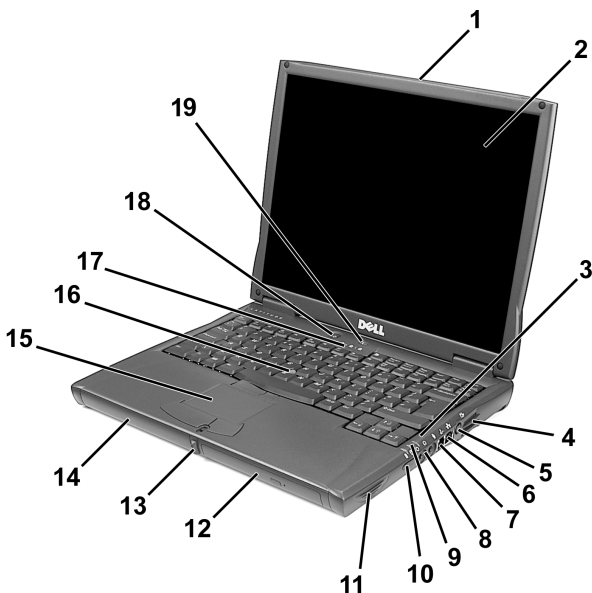
---



*REMARQUE : N'amarrez pas l'ordinateur tant qu'il n'a pas été mis sous tension et arrêté au moins une fois.*

## Composants de l'ordinateur

Les Figures 2-4 et 2-5 montrent les emplacements des différents composants de l'ordinateur.

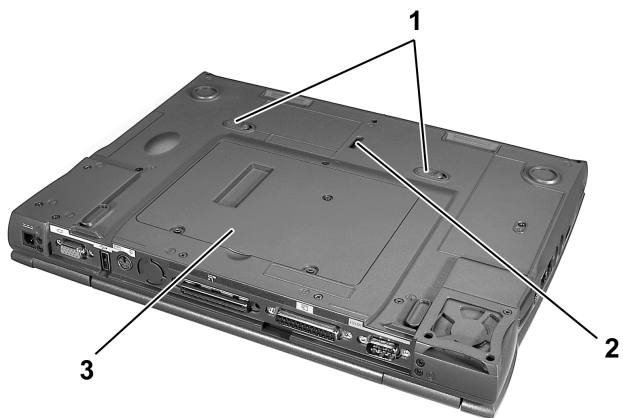


**Figure 2-4. Vue de face de l'ordinateur**

---

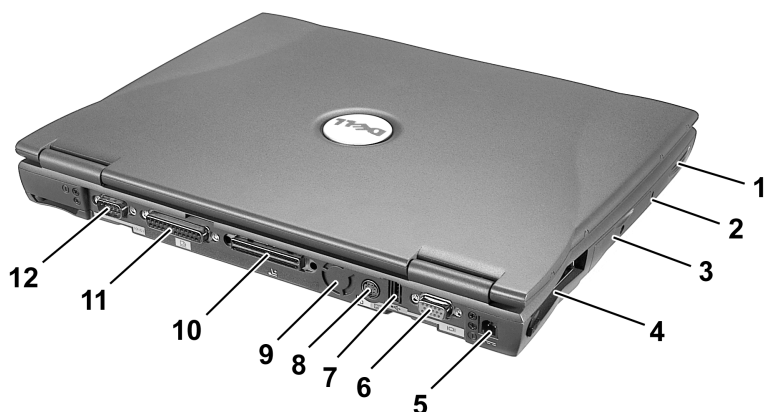
<b>1</b>	Dispositif de blocage de l'écran	<b>11</b>	Haut-parleur
<b>2</b>	Écran	<b>12</b>	Baie modulaire
<b>3</b>	Microphone	<b>13</b>	Bouton de blocage de l'écran
<b>4</b>	Prise d'air	<b>14</b>	Baie de la batterie
<b>5</b>	Connecteur S-vidéo	<b>15</b>	Touchpad
<b>6</b>	Connecteur réseau (en option)	<b>16</b>	Trackstick
<b>7</b>	Connecteur de modem (en option)	<b>17</b>	Voyants d'état du clavier
<b>8</b>	Prises jacks audio (2)	<b>18</b>	Bouton d'alimentation
<b>9</b>	Voyants d'état du système	<b>19</b>	Touche Dell AccessDirect™
<b>10</b>	Port infrarouge		

---



**Figure 2-5. Vue arrière de l'ordinateur**

- 
- |          |                                     |          |  |
|----------|-------------------------------------|----------|--|
| <b>1</b> | Loquets de déverrouillage du module | <b>3</b> | Module de mémoire et protection mini-PCI |
| <b>2</b> | Loquet de sécurité d'amarrage       |          |  |
-



**Figure 2-6. Vue arrière de l'ordinateur**

1	Haut-parleur	7	Connecteur USB
2	Emplacement pour câble de sécurité	8	Connecteur PS/2
3	Unité de disque dur	9	Ventilateur
4	Emplacements pour carte PC (2)	10	Connecteur d'amarrage
5	Connecteur de l'adaptateur CA/CC	11	Connecteur parallèle
6	Connecteur vidéo	12	Connecteur série

### **Remplacement de la batterie principale**



**PRÉCAUTION :** Le recours à un type de batterie inadapté présente un risque d'incendie ou d'explosion. Remplacez la batterie uniquement par une batterie identique ou équivalente achetée auprès de Dell. Vous pouvez utiliser la batterie de votre ordinateur sur tous les ordinateurs de série Latitude C à l'exception des ordinateurs de série Latitude CS ou CSx. Ne tentez pas d'utiliser la batterie sur les ordinateurs de série CS ou CSx, et n'utilisez la batterie de ce type d'ordinateurs sur votre ordinateur.

**AVIS :** Pour éviter toute perte de données, ne remplacez pas la batterie lorsque l'ordinateur est allumé, à moins que l'ordinateur ne soit connecté à une prise électrique ou qu'une seconde batterie soit installée.

**AVIS :** Utilisez uniquement des batteries au lithium-ion sur votre ordinateur. L'ordinateur ne supporte pas les batteries à l'hydrure d'alliage de nickel (NiMH). Si vous installez une batterie au NiMH, les voyants d'état de la batterie clignotent en alternant vert et jaune.

Avant d'installer une nouvelle batterie, vérifiez la charge de la batterie en appuyant sur le bouton de test de la batterie. L'indicateur de la batterie ne s'allume pas si la batterie est complètement déchargée.

Pour remplacer une batterie dans la baie des périphériques, suivez les étapes ci-après.



*REMARQUE : Pour obtenir des instructions complètes, consultez le Guide d'utilisation.*

1. Enregistrez votre travail et fermez tous les fichiers et programmes ouverts.
2. Si l'ordinateur est amarré, débranchez-le.
3. Si la baie modulaire contient une batterie, passez à l'étape 5.
4. Si la seule batterie de l'ordinateur se trouve dans la baie de batterie, connectez l'ordinateur à une prise électrique et sauvegardez vos données de l'une des manières suivantes :

**AVIS : Si vous choisissez de remplacer la batterie lorsque l'ordinateur est en mode suspension (ou attente), vous disposez de 4 minutes pour effectuer le remplacement. Après 4 minutes, l'ordinateur s'éteindra et vous perdrez toutes données non sauvegardées.**

- Pour Windows® 95, Windows 98 ou Windows NT®, utilisez le mode suspension ou attente.

Mettez l'ordinateur en mode suspension en appuyant sur les touches <Fn><Esc (Échap)> (ou <Scroll Lock (Arrêt défil)><Échap> sur un clavier externe si l'option **External Hot Key (Touches d'accès rapide externes)** est activée dans le programme de configuration du système.

- Pour Windows 95, Windows 98 ou Windows NT, utilisez le mode suspension sur disque.

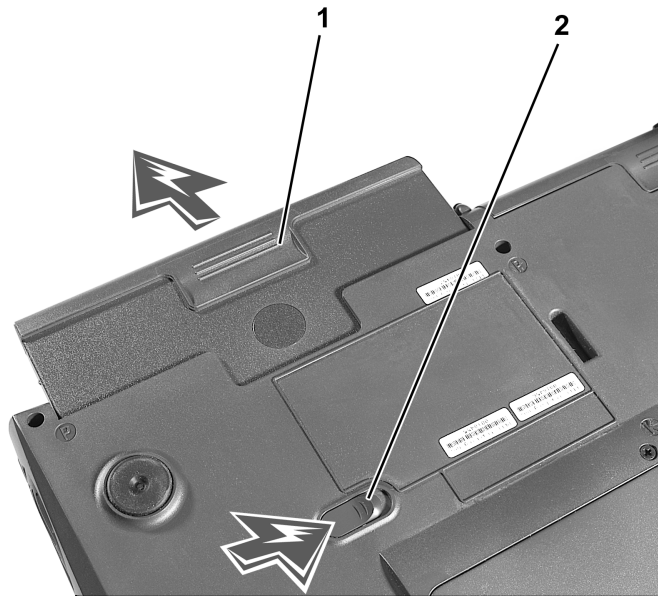
Placez l'ordinateur en mode suspension sur disque en appuyant sur les touches <Fn><q> (ou <Fn><a> sur un clavier anglais). Lorsque que le voyant d'alimentation vert s'éteint, continuez.

- Pour Windows 2000, utilisez le mode mise en veille prolongée.

En fonction de la manière dont vous définissez les modes les modes de gestion d'alimentation pour Windows 2000, mettez l'ordinateur en mode mise en veille prolongée en cliquant sur le bouton **Start (Démarrer)**, sur **Shut Down (Arrêter)** et **Hibernate (Mise en veille prolongée)** ; ou en fermant l'écran.

5. Retirez la batterie de la baie de batterie.
  - a. Éteignez l'écran et retournez l'ordinateur.
  - b. Faites glisser la baie de la batterie vers le côté (voir Figure 2-6). Maintenez le loquet d'une main tout en retirant la batterie de la baie de l'autre main.
  - c. Relâchez le loquet une fois la batterie retirée.





**Figure 2-7. Retrait d'une batterie de la baie de batterie**

---

**1** Batterie

**2** Loquet de la baie de batterie

---

6. Faites glisser fermement la nouvelle batterie dans la baie de batterie. Vous devez entendre un clic indiquant que la batterie est correctement installée.
7. En fonction du mode de gestion d'alimentation de l'ordinateur, appuyez sur le bouton d'alimentation ou ouvrez l'écran pour revenir au fonctionnement normal.

## **Informations sur la norme NOM (Mexique seulement)**

Les informations suivantes sont fournies relativement au(x) dispositif(s) décrit(s) dans ce document, conformément aux exigences de la Norme Officielle Mexicaine (NOM) :

Exportateur :	Dell Computer Corporation One Dell Way Round Rock, TX 78682
Importateur :	Dell Computer de México, S.A. de C.V. Rio Lerma No. 302 - 4° Piso Col. Cuauhtemoc 16500 México, D.F.
Expédier à :	Dell Computer de México, S.A. de C.V. al Cuidado de Kuehne & Nagel de México S. de R.l. Avenida Soles No. 55 Col. Peñon de los Baños 15520 México, D.F.
Tension d'alimentation :	100-240 VCA
Fréquence :	60-50 Hz
Consommation (maximum) :	1,5 A
Tension de sortie	20 VCC
Courant de sortie (maximum)	3,5 A

## **Información para NOM (únicamente para México)**

La información siguiente se proporciona en el dispositivo o en los dispositivos descritos en este documento, en cumplimiento con los requisitos de la Norma Oficial Mexicana (NOM):

Exportador:	Dell Computer Corporation One Dell Way Round Rock, TX 78682
Importador:	Dell Computer de México, S.A. de C.V. Rio Lerma No. 302 - 4° Piso Col. Cuauhtemoc 16500 México, D.F.
Embarcar a:	Dell Computer de México, S.A. de C.V. al Cuidado de Kuehne & Nagel de México S. de R.I. Avenida Soles No. 55 Col. Peñon de los Baños 15520 México, D.F.
Tensión alimentación:	100-240 VCA
Frecuencia:	60-50 Hz
Consumo de corriente (maxima):	1,5 A
Voltaje de salida:	20 VCC
Consumo de corriente (maxima):	1,5 A

## Aide et assistance

Dell fournit un certain nombre d'outils qui vous aideront si votre ordinateur ne fonctionne pas de la manière escomptée. Pour plus d'informations sur l'utilisation des outils d'aide, consultez le *Guide d'utilisation*.

Si vous avez un problème d'ordinateur et que vous ne parvenez pas à accéder au *Guide d'utilisation* en ligne, utilisez les diagnostics Dell pour déterminer l'origine du problème et trouver la solution. Les diagnostics se trouvent sur le CD *ResourceCD* fourni avec l'ordinateur.



*REMARQUE : Exécutez les diagnostics avant d'appeler l'assistance technique de Dell car les tests de diagnostic fournissent des informations qui peuvent vous être utiles en cas d'appel.*

Pour lancer les diagnostics, procédez comme suit :

1. Éteignez l'ordinateur.
2. Déconnectez l'ordinateur s'il est amarré.
3. Mettez l'ordinateur sous tension.
4. Appuyez sur <F2> au début de la routine de démarrage pour accéder au menu de configuration du système.



*REMARQUE : Consignez la séquence d'initialisation dans l'événement souhaité afin de restaurer celui-ci après l'exécution des Diagnostics Dell.*

5. Sélectionnez la séquence d'initialisation suivante :
  - **Boot First Device (initialiser premier périphérique) : Lecteur de disquette**
  - **Second Boot Device (initialiser deuxième périphérique) : Lecteur de CD/DVD/CD-RW**
  - **Boot Third Device (initialiser troisième périphérique) : Unité de disque dur interne**
6. Introduisez le CD *ResourceCD* dans le lecteur de CD-ROM.
7. Arrêtez l'ordinateur.
8. Redémarrez l'ordinateur. L'ordinateur démarre et commence automatiquement l'exécution des Diagnostics Dell.
9. Lorsque vous en avez terminé avec l'exécution des diagnostics, enlevez le CD *ResourceCD* du lecteur de CD-ROM ou de DVD-ROM.

Pour changer de séquence d'initialisation, répétez les étapes de 1 à 6 en adaptant la séquence d'initialisation à vos besoins. Redémarrez l'ordinateur.

Quand vous démarrez les diagnostics, le logo Dell apparaît, suivi d'un message vous informant que les diagnostics se chargent. Après le chargement des diagnostics, le menu Diagnostics s'affiche.

Pour sélectionner une option dans ce menu, mettez-la en surbrillance et appuyez sur <Enter (Entrée)> ou appuyez sur la touche correspondant à la lettre sélectionnée dans l'option choisie.

Dell™ Latitude™

# INFORMAÇÕES SOBRE O SISTEMA

[www.dell.com](http://www.dell.com)  
[support.dell.com](http://support.dell.com)

**DELL**  **COM**™

## **Notas, Avisos e Cuidados**

Neste manual, os blocos de texto podem estar acompanhados por um ícone e impressos em negrito ou itálico. Esses blocos são notas, avisos e cuidados utilizados desta forma:



*NOTA: Uma NOTA indica informações importantes que o ajudam a usar melhor o sistema de computador.*

**AVISO: Um AVISO informa sobre um dano potencial no hardware ou perda de dados e ensina a evitar o problema.**



**CUIDADO: Um CUIDADO indica a possibilidade de danos físicos, informando como evitar o problema.**

---

**As informações contidas neste documento estão sujeitas a alterações sem aviso prévio.  
© 2000 Dell Computer Corporation. Todos os direitos reservados.**

É proibida a reprodução sem permissão por escrito da Dell Computer Corporation.

Marcas comerciais utilizadas neste texto: *Dell, Latitude, DellWare, AccessDirect, DELL E COM* são marcas comerciais da Dell Computer Corporation; *Microsoft, Windows e Windows NT* são marcas comerciais registradas da Microsoft Corporation.

Outros nomes e marcas comerciais podem ser usados neste documento, referindo-se às entidades que reivindicam as marcas e os nomes ou seus produtos. A Dell renuncia ao direito de qualquer participação em nomes e marcas comerciais que não sejam de sua propriedade.



# Informações sobre o Sistema Dell™ Latitude™

A caixa de acessórios do computador portátil Dell Latitude contém um pequeno conjunto de documentação impressa. Este documento contém informações introdutórias, de segurança e de regulamentação sobre o computador da Dell, assim como informações sobre outros documentos da Dell disponíveis e como obtê-los.

## Outros Documentos Disponíveis

Os seguintes documentos são fornecidos com o computador:

- A folha *Getting Started (Primeiros Passos)* fornece instruções passo a passo para conectar o computador.



*NOTA: A folha Getting Started (Primeiros Passos) não está disponível em todas as regiões.*

- O *Guia do Usuário*, um documento em HTML com descrições dos recursos do computador, instruções sobre como instalar e configurar drivers e utilitários, informações sobre o programa System Setup (Configuração do Sistema) e instruções para conectar dispositivos aos conectores do painel traseiro do computador. O *Guia do Usuário* encontra-se na unidade de disco rígido.

Você também pode ter um ou mais destes documentos:

- Atualizações de documentação, que acompanham ocasionalmente o computador para descrever as alterações efetuadas no software ou computador. Leia sempre essas atualizações *antes* de consultar outra documentação qualquer, já que as atualizações normalmente contêm as informações mais recentes.
- Documentação do sistema operacional, incluída caso você tenha solicitado à Dell o software do sistema operacional.
- Documentação incluída com todos os opcionais do computador adquiridos separadamente. Essa documentação inclui informações necessárias para configurar e instalar esses opcionais no computador da Dell.



## **Documentos na Web**

É possível obter as versões mais recentes dos documentos na unidade de disco rígido e outras informações para solução de problema no site de suporte em <http://support.dell.com>.



## **Instruções de Segurança**

Use as seguintes diretrizes de segurança para ajudar a proteger o computador contra danos potenciais e para a sua própria segurança pessoal.

Ao usar o computador, observe as seguintes diretrizes de segurança:

- Não trabalhe com o computador portátil Latitude posicionado diretamente sobre a pele. Durante o uso prolongado, pode ocorrer acúmulo de calor na base. O contato direto com a pele pode provocar desconforto ou, eventualmente, uma queimadura.
- Não tente consertar o computador por conta própria. Sempre siga exatamente as instruções de instalação.
- Não carregue baterias no bolso, na bolsa ou em outro local em que objetos metálicos (como chaves de carro) provoquem um curto-circuito nos terminais das baterias. O fluxo resultante de corrente excessiva pode provocar temperaturas extremamente altas e resultar em danos por queimaduras.
- Certifique-se de que nada esteja sobre o cabo de força do adaptador e de que esse cabo não fique exposto em locais onde se possa esbarrar ou pisar nele.
- Posicione o adaptador CA em uma área ventilada, como uma mesa ou sobre o assoalho, ao usá-lo para executar o computador ou carregar a bateria. Não cubra o adaptador CA com papéis ou outros objetos que diminuam a ventilação; além disso, não use o adaptador CA dentro de uma caixa.
- Não utilize o computador em um ambiente úmido, como próximo a uma banheira, pia ou piscina, ou em um local molhado.
- Não bloqueie as passagens ou aberturas de ar do computador com objetos. Esse procedimento pode provocar incêndio ou descarga elétrica, danificando os componentes internos.
- Use somente o adaptador CA PA-6 da Dell aprovado para uso com o computador. O uso de outro adaptador CA pode apresentar risco de incêndio.
- Use apenas os módulos de bateria da Dell que foram aprovados para uso com o computador. O uso de outros tipos pode apresentar risco de incêndio ou explosão.
- Para evitar choque elétrico, conecte o adaptador CA e os cabos de força dos periféricos às fontes de força ligadas corretamente à terra. Esses cabos estão equipados com plugues de três pinos para assegurar o aterramento adequado. Não use plugues adaptadores nem remova o pino de aterramento de um cabo. Se precisar de um cabo de extensão, use um cabo de três fios com os plugues aterrados da forma adequada.

- Se você usar um cabo de extensão com o adaptador CA, certifique-se de que a amperagem total dos produtos conectados ao cabo de extensão não ultrapasse a do próprio cabo.
- Para remover a força do computador, desligue-o, retire a bateria e desligue o adaptador CA da tomada elétrica.
- Se o computador tem um modem (Placa de PC) integrado ou opcional, o cabo utilizado com o modem deve ser fabricado com um tamanho de fio mínimo de 26 AWG (American wire gauge) e um plugue modular RJ-11 compatível com a FCC.
- Se o computador tiver um modem (Placa de PC) integrado ou opcional, desconecte o cabo do modem durante tempestades com descargas elétricas para evitar o risco remoto de choque elétrico procedente da emissão de raios através da linha telefônica.
- Para evitar o risco potencial de choque elétrico, não conecte ou desconecte quaisquer cabos, nem faça manutenção ou reconfiguração deste produto durante tempestades com descargas elétricas.
- As Placas de PC podem ficar muito quentes durante a operação normal. Tenha cuidado ao removê-las após uma operação contínua.
- Não descarte as baterias de íons de lítio do computador jogando-as no fogo ou junto com o lixo doméstico. Elas podem explodir. Descarte baterias usadas de acordo com as instruções dos fabricantes ou entre em contato com a empresa de coleta de lixo para obter mais instruções sobre como descartá-las.
- Limpe o computador com um tecido leve, umedecido em água e não em detergentes líquidos ou em aerossol, pois esses detergentes podem conter substâncias inflamáveis.

## **Preparando-se para Trabalhar na Parte Interna do Computador**

Siga as diretrizes de segurança a seguir ao trabalhar na parte interna do computador.

**AVISO: A única ocasião em que você acessará a parte interna do computador será ao instalar módulos de memória.**

**AVISO: Aguarde 5 segundos após desligar o computador para desconectar um dispositivo ou remover um módulo de memória, a fim de evitar possíveis danos à placa do sistema.**



*NOTA: Para obter instruções completas, consulte o Guia do Usuário.*

- Desligue o computador e todos os periféricos.
- Desconecte o computador e os dispositivos periféricos das tomadas elétricas para reduzir o risco de ferimentos ou choque.
- Se o computador estiver conectado, desconecte-o.
- Desconecte todos os periféricos conectados ao computador, inclusive aparelho telefônico e linhas de comunicação.

- Remova a bateria principal do compartimento de bateria e, se necessário, a bateria secundária do compartimento modular.
- Descarregue a energia estática do seu corpo tocando uma superfície de metal não pintada de um conector de entrada/saída (E/S) existente na parte traseira do computador.
- Ao trabalhar, toque periodicamente o painel de E/S para dissipar a eletricidade estática que pode danificar os componentes internos.

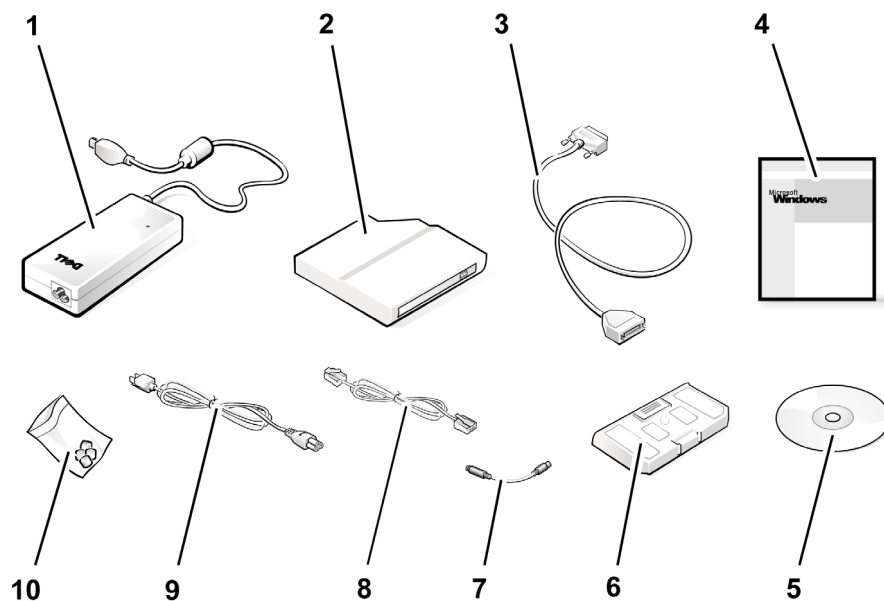
## **Diretrizes Gerais de EMC**

- Cabos blindados de sinal: O uso de cabos blindados garante que a classificação apropriada de EMC seja mantida para o ambiente específico. Para impressoras paralelas, há um cabo disponível na Dell Computer Corporation. Se preferir, solicite um cabo na Dell Computer Corporation na World Wide Web em **<http://www.dell.com>**.
- Protegendo contra Descarga Eletrostática: A eletricidade estática pode danificar os componentes eletrônicos existentes dentro do computador. Para evitar danos estáticos, descarregue a eletricidade estática do seu corpo antes de tocar em qualquer componente eletrônico do computador, como o módulo de memória. Faça isso, tocando uma superfície de metal não pintada no painel de E/S do computador.
- Interferência Eletromagnética (EMI, Electromagnetic Interference) é qualquer sinal ou emissão, irradiada em espaço livre ou transmitida através de condutores de força ou de sinais, que coloque em risco o funcionamento de um serviço de navegação de rádio ou outro serviço de segurança, ou que degrade seriamente, obstrua ou interrompa várias vezes um serviço licenciado de comunicação de rádio. Seu computador Dell é projetado para ser compatível com os regulamentos aplicáveis relacionados à EMI. Modificações não aprovadas expressamente pela Dell podem impedir que o usuário use o equipamento. Informações adicionais de regulamentação do computador podem ser encontradas no *Guia do Usuário* on-line.

## Primeiros Passos

Para configurar o computador, execute as seguintes etapas:

1. Desembale a caixa de acessórios (veja a Figura 3-1).
2. Separe o conteúdo da caixa de acessórios necessário para concluir a configuração do computador.



**Figura 3-1. Conteúdo da Caixa de Acessórios**

1	Adaptador CA	6	Módulo de viagem
2	Módulo de unidade de CD-ROM	7	Cabo do adaptador de saída de TV
3	Cabo da unidade de disquete	8	Cabo para modem opcional
4	Documentação do sistema operacional	9	Cabo de força do adaptador CA
5	ResourceCD	10	Tampas do track stick

A caixa de acessórios também contém a documentação do usuário e de qualquer software ou hardware adicional (como Placas de PC, unidades ou baterias) que você tenha solicitado.

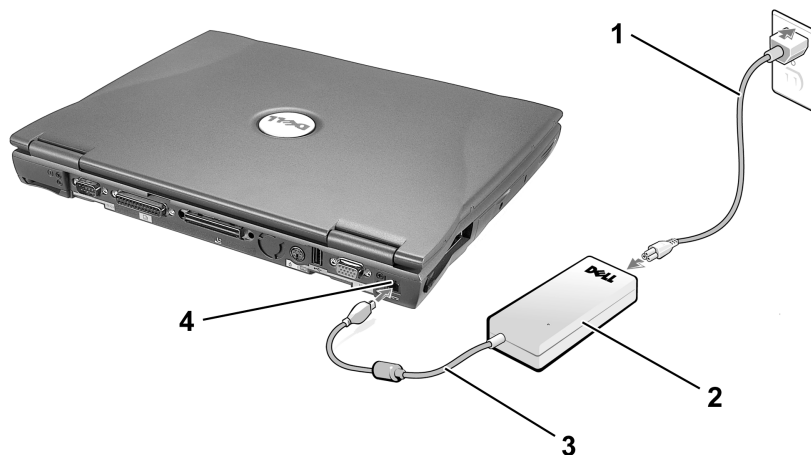


## Conectando o Adaptador CA

*NOTA: Uma bateria parcialmente carregada já vem instalada no computador, mas a Dell recomenda que você conecte o adaptador CA nesse momento, para que seja concluído o carregamento da bateria e a instalação do sistema operacional continue sem interrupção.*

Para conectar o computador ao adaptador CA, execute as seguintes etapas:

1. Conecte o cabo do adaptador CA ao conector do adaptador CA existente no computador (veja a Figura 3-2).



**Figura 3-2. Conectando o Adaptador CA**

---

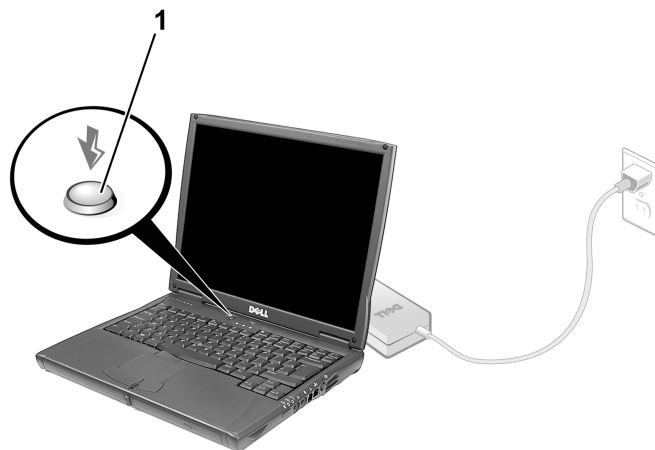
<b>1</b> Cabo de força do adaptador CA	<b>3</b> Cabo do adaptador CA
<b>2</b> Adaptador CA	<b>4</b> Conector do adaptador CA

---

2. Conecte o cabo de força do adaptador CA ao adaptador CA.
3. Conecte o cabo de força do adaptador CA a uma tomada elétrica.

## **Ligando o Computador**

Para ligar o computador, abra-o e pressione o botão Liga/Desliga (veja a Figura 3-3).



**Figura 3-3. Ligando o Computador**

---

**1** Botão Liga/Desliga

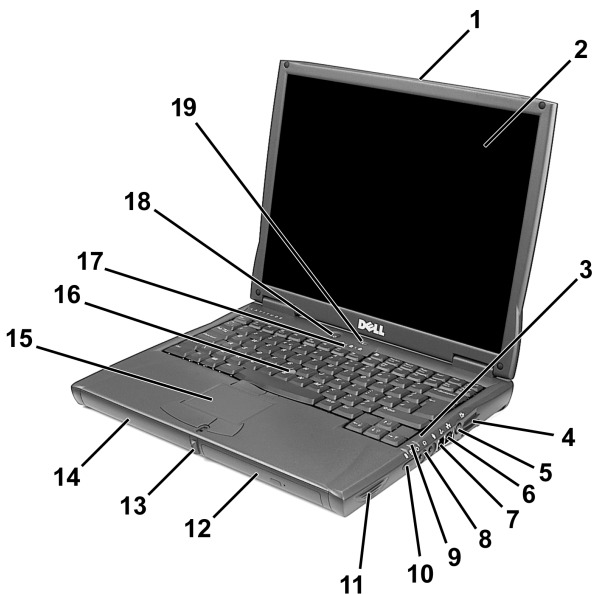
---



*NOTA: Não conecte o computador antes de ligá-lo e desligá-lo pelo menos uma vez.*

## Componentes do Computador

As Figuras 3-4 e 3-5 mostram as localizações dos componentes do computador.

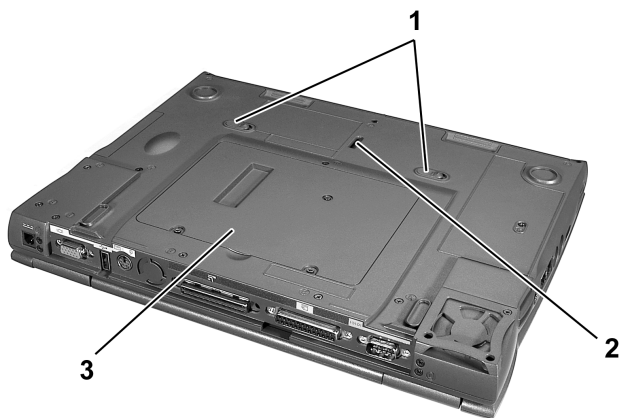


**Figura 3-4. Visão Frontal do Computador**

---

<b>1</b>	Trava do vídeo	<b>11</b>	Alto-falante
<b>2</b>	Vídeo	<b>12</b>	Compartimento modular
<b>3</b>	Microfone	<b>13</b>	Botão da trava do vídeo
<b>4</b>	Saída de ar	<b>14</b>	Compartimento de bateria
<b>5</b>	Conector de vídeo em forma de S	<b>15</b>	Touchpad
<b>6</b>	Conector de rede opcional	<b>16</b>	Track stick
<b>7</b>	Conector de modem opcional	<b>17</b>	Luzes de status do teclado
<b>8</b>	Tomadas de áudio (2)	<b>18</b>	Botão Liga/Desliga
<b>9</b>	Luzes de status do sistema	<b>19</b>	Tecla Dell AccessDirect™
<b>10</b>	Porta de infravermelho		

---



**Figura 3-5. Visão Inferior do Computador**

---

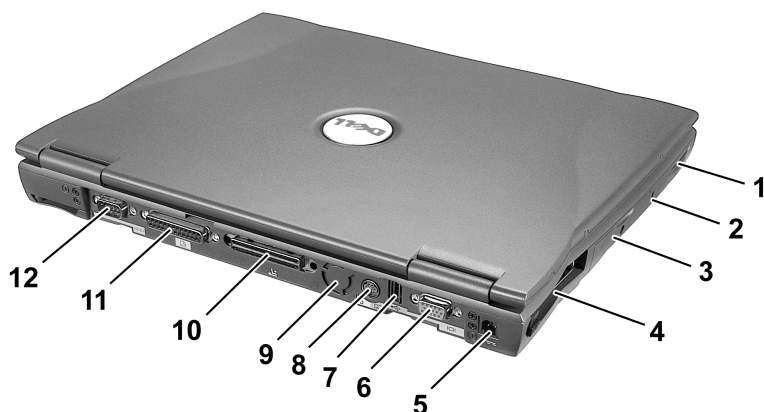
**1** Travas do módulo

**3** Tampa do módulo de memória e mini-PCI

**2** Trava de segurança do encaixe

---





**Figura 3-6. Visão Posterior do Computador**

---

1	Alto-falante	7	Conector USB
2	Encaixe do cabo de segurança	8	Conector PS/2
3	Unidade de disco rígido	9	Ventilador
4	Encaixes da Placa de PC (2)	10	Conector de encaixe
5	Conector do adaptador CA	11	Conector paralelo
6	Conector de vídeo	12	Conector serial

---

### **Trocando a Bateria Principal**



**CUIDADO:** O uso do tipo inadequado de bateria pode apresentar risco de incêndio ou explosão. Troque a bateria somente por um tipo de bateria idêntico ou equivalente adquirida na Dell. Você pode usar a bateria em qualquer computador Latitude, exceto em computadores Latitude CS ou CSx. Não tente usar a bateria em computadores CS ou CSx e não use uma bateria desses computadores no seu computador.

**AVISO:** Para evitar a perda de dados, não troque uma bateria enquanto o computador estiver ligado, a não ser que o computador esteja ligado a uma tomada elétrica ou uma segunda bateria esteja instalada.

**AVISO:** Use apenas baterias de íons de lítio no computador. O computador não suporta as baterias NiMH (nickel-metal hydride, hidreto de níquel). Caso você instale uma bateria NiMH, as luzes de status da bateria piscam alternando entre verde e âmbar.

Antes de instalar uma nova bateria, verifique sua carga pressionando o botão de teste de bateria. O regulador da bateria não acenderá se a bateria estiver completamente descarregada.

Para trocar uma bateria no compartimento de bateria, execute estas etapas.



*NOTA: Para obter instruções completas, consulte o Guia do Usuário.*

1. Salve o seu trabalho e feche todos os arquivos e aplicativos abertos.
2. Se o computador estiver conectado, desconecte-o.
3. Se o compartimento modular contiver uma bateria, vá para a etapa 5.
4. Se a única bateria existente no computador estiver no compartimento de bateria, conecte o computador a uma tomada elétrica ou preserve os dados através de um dos seguintes procedimentos:

**AVISO: Se você optar por trocar a bateria com o computador no modo de suspensão (ou de espera), terá até 4 minutos para concluir a substituição da bateria. Após 4 minutos, o computador será desligado e você perderá os dados que não tenham sido salvos.**

- No Windows® 95, Windows 98 ou Windows NT®, use o modo de suspensão ou de espera.

Coloque o computador no modo de suspensão, pressionando <Fn><Esc> (ou <Scroll Lock><Esc> em um teclado externo se a opção **External Hot Key (Tecla de Atalho Externa)** estiver ativada no programa System Setup (Configuração do Sistema)).

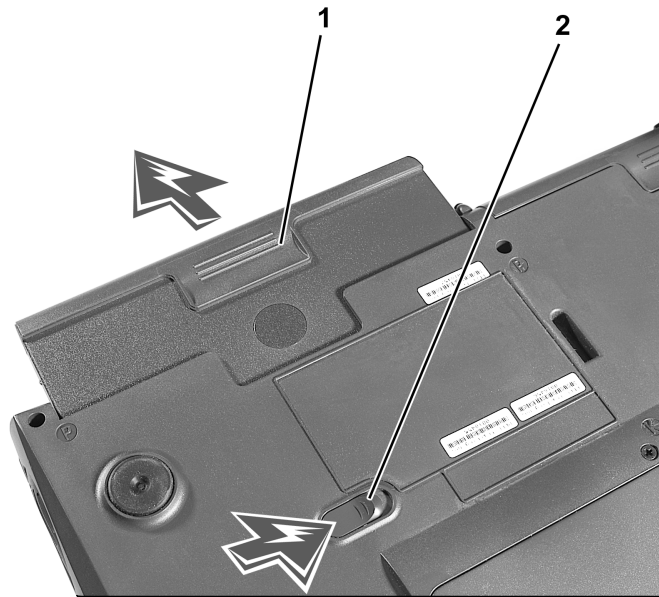
- No Windows 95, Windows 98 ou Windows NT, use o modo de suspensão para o disco.

Coloque o computador no modo de suspensão para o disco, pressionando <Fn><a> (ou <Fn><q> em um teclado francês). Quando o indicador de força verde se apagar, continue.

- No Windows 2000, use o modo de hibernação.

Dependendo de como você definiu os modos de gerenciamento de força no Windows 2000, coloque o computador no modo de hibernação, clicando no botão **Start (Iniciar)**, em **Shut Down (Desligar)** e em **Hibernate (Hibernar)**; ou fechando a exibição.

5. Remova a bateria do compartimento de bateria:
  - a. Feche o vídeo e vire o computador.
  - b. Deslize o compartimento modular para o lado (veja a Figura 3-6). Segure a trava com uma das mãos enquanto retira a bateria do compartimento com a outra.
  - c. Solte a trava após remover a bateria.



**Figura 3-7. Removendo uma Bateria do Compartimento de Bateria**

---

**1** Bateria

**2** Trava do compartimento de bateria

---

6. Deslize com firmeza a nova bateria para dentro do compartimento de bateria. Você deve ouvir um clique quando a bateria estiver totalmente encaixada.
7. De acordo com o modo de gerenciamento de força em que o computador estiver, pressione o botão Liga/Desliga ou abra a exibição para continuar com a operação normal.

## **Informações da Norma Oficial Mexicana (NOM) (Somente México)**

As informações a seguir são fornecidas no(s) dispositivo(s) descrito(s) neste documento, em conformidade com as exigências dos padrões oficiais mexicanos (NOM, Norma Oficial Mexicana).

Exportador:	Dell Computer Corporation One Dell Way Round Rock, TX 78682
Importador:	Dell Computer de México, S.A. de C.V. Rio Lerma No. 302 - 4° Piso Col. Cuauhtemoc 16500 México, D.F.
Enviar para:	Dell Computer de México, S.A. de C.V. al Cuidado de Kuehne & Nagel de México S. de R.I. Avenida Soles No. 55 Col. Peñon de los Baños 15520 México, D.F.
Voltagem da fonte:	100-240 VAC
Freqüência:	60-50 Hz
Consumo atual (máximo):	1,5 A
Voltagem de saída	20 VDC
Corrente de saída (máxima):	3,5 A

## **Información para NOM (únicamente para México)**

La información siguiente se proporciona en el dispositivo o en los dispositivos descritos en este documento, en cumplimiento con los requisitos de la Norma Oficial Mexicana (NOM):

Exportador:	Dell Computer Corporation One Dell Way Round Rock, TX 78682
Importador:	Dell Computer de México, S.A. de C.V. Río Lerma No. 302 - 4° Piso Col. Cuauhtemoc 1650 México, D.F.
Embarcar a:	Dell Computer de México, S.A. de C.V. al Cuidado de Kuehne & Nagel de México S. de R.L. Avenida Soles No. 55 Col. Peñon de los Baños 15520 México, D.F.
Tensión alimentación:	100-240 VCA
Frecuencia:	60-50 Hz
Consumo de corriente (máxima):	1,5 A
Voltaje de salida:	20 VDC
Corriente de salida (máxima):	3,5 A

## Obtendo Ajuda

A Dell fornece várias ferramentas para ajudá-lo caso o seu computador não esteja funcionando conforme o esperado. Para obter informações sobre essas ferramentas de ajuda, consulte o *Guia do Usuário*.

Se o computador apresentar problemas e não for possível acessar o *Guia do Usuário* on-line, use o Diagnóstico da Dell para ajudá-lo a descobrir a causa do problema e solucioná-lo. O Diagnóstico encontra-se no *ResourceCD* fornecido com o computador.



*NOTA: Execute o Diagnóstico antes de ligar para o suporte técnico da Dell, já que os testes de diagnóstico fornecem informações que você pode precisar quando telefonar.*

Para iniciar o Diagnóstico da Dell, execute as seguintes etapas:

1. Desligue o computador.
2. Desencaixe o computador se estiver encaixado.
3. Ligue o computador.
4. Pressione <F2> no início da rotina de inicialização para acessar o menu de configuração do sistema.



*NOTA: Anote a seqüência de inicialização atual caso você deseje restaurá-la após a execução do Diagnóstico da Dell.*

5. Selecione a seguinte seqüência de inicialização:
  - **Primeiro Dispositivo de Inicialização: Unidade de Disquete**
  - **Segundo Dispositivo de Inicialização: Unidade de CD/DVD/CD-RW**
  - **Terceiro Dispositivo de Inicialização: HDD Interno**
6. Insira o *ResourceCD* da Dell na unidade de CD-ROM.
7. Desligue o computador.
8. Ligue o computador. O computador é iniciado e começa a executar automaticamente o Diagnóstico da Dell.
9. Quando for concluída a execução do diagnóstico, remova o *ResourceCD* da unidade de CD-ROM.

Para alterar a seqüência de inicialização, repita as etapas 1 a 6, adaptando a seqüência às suas necessidades. Em seguida, reinicie o computador.

Quando você inicia o diagnóstico, a tela com o logotipo da Dell é exibida, seguida de uma mensagem informando que o diagnóstico está sendo carregado. Após o carregamento do diagnóstico, o Diagnostics Menu (Menu Diagnóstico) é exibido.

Para selecionar uma opção nesse menu, destaque a opção e pressione <Enter> ou pressione a tecla correspondente à letra destacada na opção escolhida.



# INFORMACIÓN DEL SISTEMA



## **Notas, avisos y precauciones**

A lo largo de esta guía, encontrará secciones de texto que pueden estar acompañadas por un icono e impresas en negrita o en cursiva. Estos bloques de texto son notas, avisos y precauciones que se utilizan como se indica a continuación:



*NOTA: una NOTA proporciona información importante que le ayuda a utilizar el ordenador de la mejor manera posible.*

**AVISO: un AVISO indica un posible daño al hardware o la pérdida de datos y le explica cómo evitar el problema.**



**PRECAUCIÓN: una PRECAUCIÓN indica una posible lesión corporal y le explica cómo evitar el problema.**

---

**La información contenida en este documento puede modificarse sin aviso previo.  
© 2000 Dell Computer Corporation. Reservados todos los derechos.**

Queda estrictamente prohibida la reproducción de este documento en cualquier forma sin la autorización por escrito de Dell Computer Corporation.

Marcas comerciales utilizadas en este texto: *Dell, Latitude, DellWare, AccessDirect*, el logotipo de *DELL E COM* son marcas comerciales de Dell Computer Corporation; *Microsoft, Windows y Windows NT* son marcas comerciales registradas de Microsoft Corporation.

Este documento puede incluir otras marcas y nombres comerciales para referirse a las entidades que los poseen o a sus productos. Dell Computer Corporation renuncia a cualquier interés sobre la propiedad de marcas y nombres comerciales que no sean los suyos.



# Dell™ Latitude™

## Información del sistema

La caja de accesorios del ordenador portátil Dell Latitude incluye un conjunto reducido de documentación impresa. Este documento contiene información introductoria y sobre seguridad y regulaciones del ordenador Dell, así como información acerca de otros documentos de Dell disponibles y cómo obtenerlos.

### Otros documentos disponibles

Con el ordenador se incluyen los siguientes documentos:

- La hoja titulada *Para empezar*, que proporciona instrucciones paso a paso para conectar el ordenador.

*NOTA: la hoja titulada Para empezar no está disponible para todas las regiones.*



- La *Guía del usuario*, un documento HTML que incluye descripciones de funciones del ordenador, instrucciones de instalación y configuración de drivers y utilidades, información sobre el programa de configuración del sistema e instrucciones para conectar dispositivos en el panel posterior del ordenador. La *Guía del usuario* está ubicada en la unidad de disco duro.

Es posible que también cuente con uno o más de los siguientes documentos:

- Actualizaciones de la documentación, que algunas veces se incluyen con el sistema para describir cambios en el equipo o en el software. Lea siempre estas actualizaciones *antes* de consultar cualquier otra documentación, ya que las actualizaciones suelen contener la información más reciente.
- La documentación del sistema operativo, que se incluye si solicitó el software del sistema operativo a Dell.
- Se incluye la documentación de cualquier opción que haya adquirido independientemente de su ordenador. Esta documentación incluye información necesaria para configurar estas opciones e instalarlas en el ordenador Dell.

## Documentos en el Web

Puede obtener las últimas versiones del cualquier documento en la unidad de disco duro además de otra información sobre la solución de problemas en el sitio Web de soporte de Dell en la dirección <http://support.dell.com>.



## Instrucciones de seguridad

Aplice las siguientes pautas de seguridad para proteger el ordenador contra posibles daños y garantizar su propia seguridad personal.

Cuando utilice el ordenador, observe las siguientes pautas de seguridad:

- No utilice el ordenador portátil Latitude con la base asentada en contacto directo con la piel. El funcionamiento prolongado puede ocasionar que el calor se acumule en la base. El contacto continuado con la piel puede provocar malestar o, con el tiempo, quemaduras.
- No intente reparar usted mismo el ordenador. Siga siempre las instrucciones de instalación con exactitud.
- No lleve baterías en el bolsillo, bolso u otro contenedor en el que los objetos de metal (como las llaves) puedan producir un cortocircuito en los terminales de la batería. El flujo habitual y desmesurado resultante podría provocar temperaturas extremadamente altas y como consecuencia daños al arder.
- Asegúrese de que no haya nada sobre el cable de alimentación del adaptador y que éste no esté localizado donde se pueda pisar o sea fácil tropezar con él.
- Cuando utilice el adaptador de CA para suministrar alimentación al ordenador o para cargar la batería, colóquelo en un área ventilada, como puede ser un escritorio o en el suelo. No cubra el adaptador de corriente alterna con papeles u otros objetos que reduzcan la refrigeración; tampoco utilice el adaptador dentro de un maletín.
- No utilice el equipo en un entorno húmedo, por ejemplo, cerca del baño, el lavabo, el fregadero, la piscina o una superficie mojada.
- No inserte ningún objeto en las rejillas de ventilación o aberturas de su ordenador. Si lo hace, podría ocasionar un incendio o una descarga eléctrica producidos por un cortocircuito en los componentes interiores.
- Utilice siempre el adaptador de CA de Dell PA-6 que se ha aprobado para su uso con este equipo. El uso de otro tipo de adaptador de CA podría implicar un riesgo de incendio.
- Utilice sólo las baterías de Dell que se han aprobado para su uso con este equipo. El uso de otro tipo de baterías podría implicar un riesgo de incendio o explosión.
- Para evitar una descarga eléctrica, enchufe el adaptador de CA y los cables de alimentación de los dispositivos periféricos a fuentes de alimentación con toma de tierra. Estos cables están equipados con enchufes de tres bornes para garantizar la toma de tierra. No utilice enchufes adaptadores ni retire los bornes de toma de tierra de los cables. Si debe utilizar un cable alargador, utilice cable de tres hilos y enchufes con toma de tierra.

- Si utiliza un alargador para el adaptador de CA, asegúrese de que la cantidad total de amperios de los dispositivos enchufados al alargador no excedan la cantidad de amperios que éste puede soportar.
- Para retirar la alimentación del equipo, apáguelo, quite el paquete de baterías y desconecte el adaptador de CA de la toma eléctrica.
- Si el ordenador incluye un módem integrado u opcional (de tarjeta PC), el cable utilizado con el módem debe poseer un tamaño mínimo de 26 AWG (American wire gauge, calibre de alambre americano) y un enchufe modular RJ-11 que cumpla el estándar de la Comisión Federal de Comunicaciones (FCC, del inglés Federal Communications Commission).
- Si el equipo incluye un módem (de tarjetas PC) opcional o integrado, desconecte el cable del módem cuando se aproxime una tormenta eléctrica para evitar el riesgo remoto de una descarga eléctrica producida por los rayos a través de la línea telefónica.
- Para evitar el peligro potencial de sufrir una descarga eléctrica, no conecte ni desconecte ningún cable ni realice el mantenimiento o la reconfiguración de este producto en el transcurso de una tormenta eléctrica.
- Las tarjetas PC pueden calentarse mucho durante la operación normal. Tenga cuidado al quitar las tarjetas PC después de su funcionamiento continuo.
- No arroje las baterías de iones de litio del ordenador al fuego o a la basura. Pueden explotar. Deshágase de las baterías agotadas de acuerdo con las instrucciones del fabricante o póngase en contacto con la agencia local de eliminación de residuos acerca del desecho de residuos.
- Limpie el ordenador con un paño suave mojado en agua en vez de utilizar algún líquido limpiador o aerosol que podría contener sustancias inflamables.

## **Prepararse para trabajar en el interior del ordenador**

Observe las siguientes pautas de seguridad cuando trabaje en el interior del ordenador.

**AVISO: la única ocasión en la que debe tener acceso al interior del ordenador es cuando instale módulos de memoria.**

**AVISO: apague el ordenador y espere 5 segundos antes de desconectar un dispositivo o retirar un módulo de memoria para evitar un posible daño en la placa base.**



*NOTA: para obtener instrucciones detalladas, consulte la Guía del usuario.*

- Apague el ordenador y todos los dispositivos periféricos.
- Desconecte el ordenador y todos los dispositivos periféricos de las tomas de corriente para reducir la posibilidad de producirse daños o sufrir una descarga eléctrica.
- Si el ordenador está acoplado, desacóplelo.
- Desconecte todos los periféricos que estén conectados, incluidas las líneas de teléfono o de telecomunicaciones.

- Retire la batería principal del compartimento para la batería y la segunda batería (si la hubiere) del compartimento modular.
- Conéctese usted mismo a tierra por el procedimiento de tocar una superficie metálica sin pintura del conector de entrada y salida (E/S) en la parte posterior del ordenador.
- Mientras trabaja, periódicamente toque el panel de E/S para disipar la electricidad estática que pudiera dañar los componentes internos.

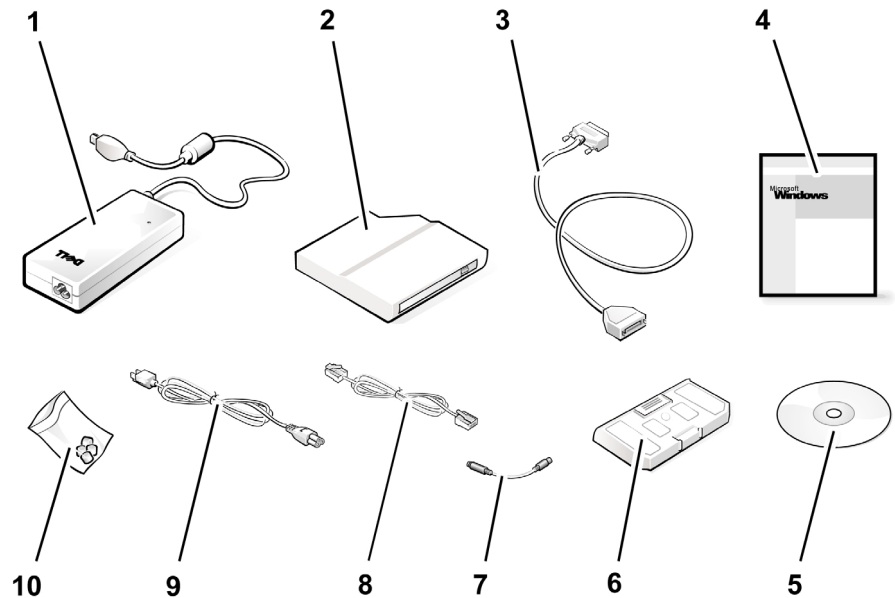
## ***Pautas generales de EMC***

- Cables de señal blindados: La utilización de cables blindados garantiza que se mantiene la clasificación EMC adecuada para el entorno especificado. Para impresoras en paralelo, existe un cable disponible de Dell Computer Corporation. Si lo prefiere, puede solicitar un cable de Dell Computer Corporation en el sitio **<http://www.dell.com>** de la Red mundial.
- Protección contra descargas electrostáticas: La electricidad estática puede dañar los componentes electrónicos que hay en el interior del equipo. Para evitar el daño por descargas electrostáticas, antes de tocar cualquiera de los componentes electrónicos del sistema (como un módulo de memoria, por ejemplo), descargue la electricidad estática de su cuerpo. Para ello, toque una superficie metálica no pintada en el panel de E/S del equipo.
- Una interferencia electromagnética (EMI, del inglés Electromagnetic Interference) es cualquier señal o emisión, radiada al espacio o conducida a través de un cable de alimentación o señal, que pone en peligro el funcionamiento de la navegación por radio u otro servicio de seguridad o degrada seriamente, obstruye o interrumpe de forma repetida un servicio de comunicaciones por radio autorizado. Su ordenador Dell está diseñado para cumplir las normativas aplicables respecto a EMI. Cambios o modificaciones no aprobados expresamente por Dell podrían invalidar su autorización para utilizar el equipo. Puede encontrar información de normativas relativas al equipo en la *Guía del usuario* en línea.

## Para empezar

Para configurar el ordenador, siga estos pasos:

1. Desempaquete la caja de accesorios (vea la figura 4-1).
2. Saque el contenido de la caja de accesorios, que necesitará para completar la configuración del ordenador.



**Figura 4-1. Contenido de la caja de accesorios**

---

<b>1</b>	Adaptador de CA	<b>6</b>	Módulo de viaje
<b>2</b>	Módulo de la unidad de CD-ROM	<b>7</b>	Cable adaptador para salida de TV
<b>3</b>	Cable de la unidad de disquete	<b>8</b>	Cable para módem opcional
<b>4</b>	Documentación del sistema operativo	<b>9</b>	Cable de alimentación del adaptador de CA
<b>5</b>	<i>Resource CD (CD de recursos)</i>	<b>10</b>	Protectores de la palanca de seguimiento

---

La caja de accesorios también contiene la documentación del usuario, el CD ResourceCD y el software o hardware adicional (como tarjetas PC, unidades o baterías) que haya pedido.

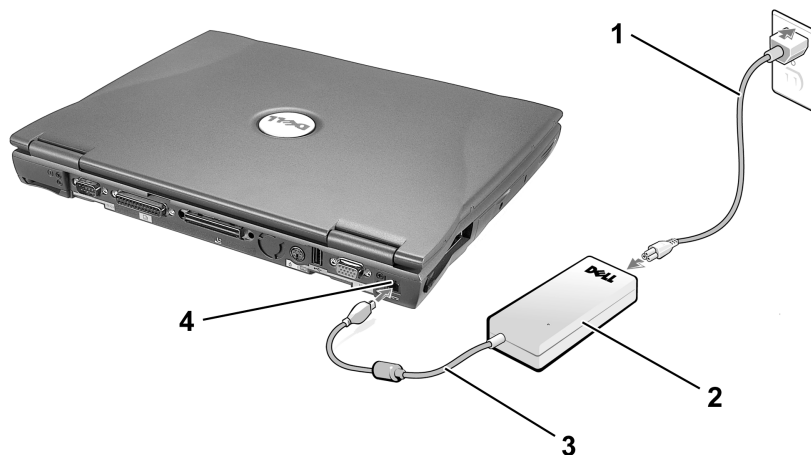


## Conexión del adaptador de CA

*NOTA: el ordenador ya lleva instalada una batería cargada parcialmente, pero Dell recomienda que conecte el adaptador de CA (corriente alterna) para que la batería pueda cargarse por completo y se pueda realizar la configuración del sistema operativo sin interrupción.*

Para conectar el ordenador al adaptador de CA, siga estos pasos:

1. Conecte el cable acoplado al adaptador de CA al conector para dicho adaptador que se encuentra en el ordenador (vea la figura 4-2).



**Figura 4-2. Conexión del adaptador de CA**

---

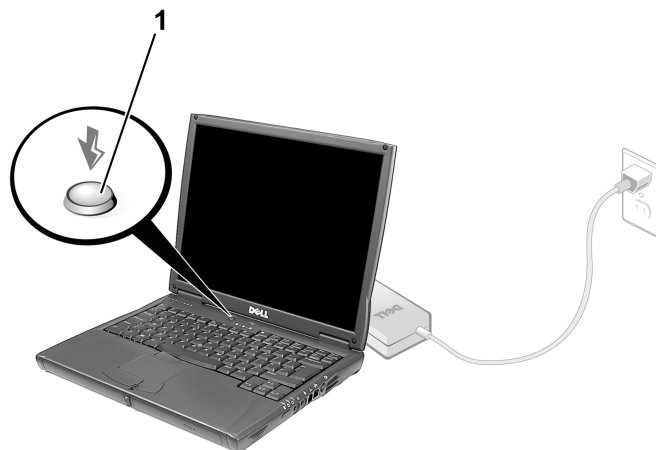
<b>1</b>	Cable de alimentación del adaptador de CA	<b>3</b>	Cable del adaptador de CA
<b>2</b>	Adaptador de CA	<b>4</b>	Conector para el adaptador de CA

---

2. Enchufe el cable de alimentación del adaptador de CA a dicho adaptador.
3. Enchufe el cable de alimentación del adaptador de CA a una toma eléctrica.

## **Encendido del ordenador**

Para encender el ordenador, abra la pantalla y pulse el botón de alimentación (vea la figura 4-3).



**Figura 4-3. Encendido del ordenador**

---

**1** Botón de alimentación

---

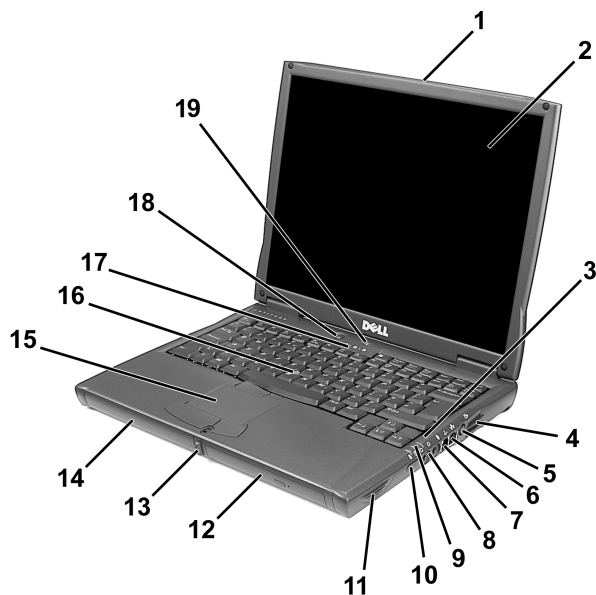


*NOTA: no acople el ordenador hasta que se haya encendido y apagado por lo menos una vez.*



## Componentes del ordenador

Las figuras 4-4 y 4-5 muestran las ubicaciones de los componentes del ordenador.

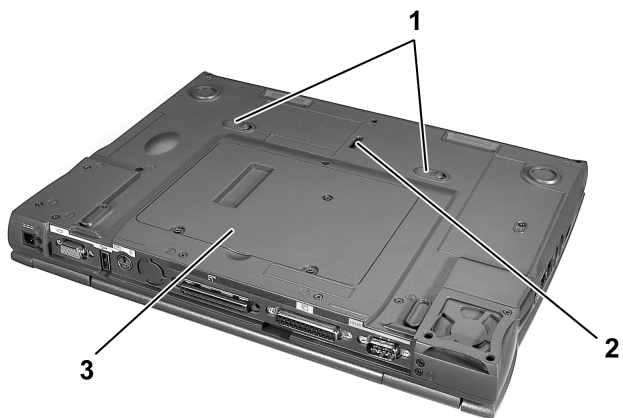


**Figura 4-4. Vista frontal del ordenador**

---

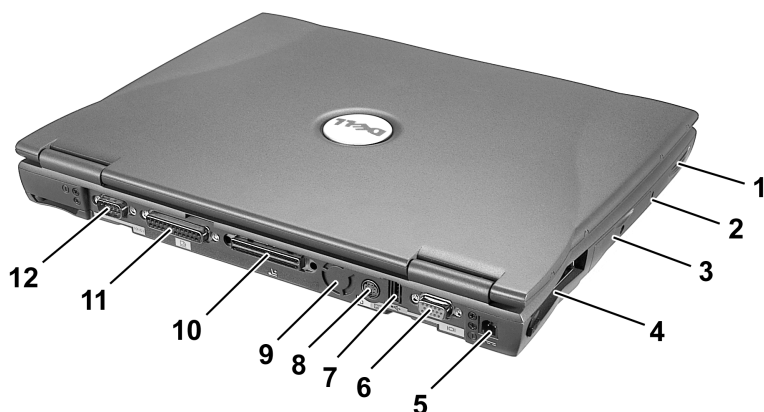
<b>1</b>	Asegurador de la pantalla	<b>11</b>	Altavoz
<b>2</b>	Pantalla	<b>12</b>	Compartimento modular
<b>3</b>	Micrófono	<b>13</b>	Botón del asegurador de la pantalla
<b>4</b>	Entrada de aire	<b>14</b>	Compartimento de la batería
<b>5</b>	Conector de S-Video	<b>15</b>	Almohadilla de contacto
<b>6</b>	Conector de red opcional	<b>16</b>	Palanca de seguimiento
<b>7</b>	Conector del módem opcional	<b>17</b>	Indicadores de estado del teclado
<b>8</b>	Enchufes de sonido (2)	<b>18</b>	Botón de alimentación
<b>9</b>	Indicadores de estado del sistema	<b>19</b>	Tecla de AccessDirect™ de Dell
<b>10</b>	Puerto de infrarrojos		

---



**Figura 4-5. Vista inferior del ordenador**

- 
- |          |                                    |          |  |
|----------|------------------------------------|----------|--|
| <b>1</b> | Pestillos de liberación del módulo | <b>3</b> | Cubierta del módulo de memoria y de la minitarjeta PCI |
| <b>2</b> | Asegurador de acoplamiento         |          |  |
-



**Figura 4-6. Vista posterior del ordenador**

1	Altavoz	7	Conector de puerto USB
2	Ranura para cable de seguridad	8	Conector PS/2
3	Unidad de disco duro	9	Ventilador
4	Ranuras para tarjetas PC (2)	10	Conector de acoplamiento
5	Conector para el adaptador de CA	11	Conector paralelo
6	Conector de vídeo	12	Conector serie

### **Reemplazo de la batería principal**



**PRECAUCIÓN:** la utilización de un tipo de batería distinto puede provocar fuego o una explosión. Sustitúyala sólo por otra del mismo tipo o de un tipo equivalente comprada a Dell. Puede utilizar la batería del ordenador en cualquier ordenador de la familia Latitude C, *excepto* en ordenadores Latitude CS o CSx. No intente usar la batería en ordenadores CS o CSx, ni utilice una batería de estos modelos en el ordenador.

**AVISO:** para evitar que se produzca una pérdida de datos, no reemplace la batería mientras el ordenador esté encendido a menos que éste se encuentre conectado a una toma de energía eléctrica o a menos que haya una segunda batería instalada.

**AVISO:** utilice solamente baterías de iones de litio en el ordenador. Éste no admite baterías de hidruro de metal-níquel (NiMH). Si instala baterías NiMH, el indicador de estado de la batería parpadeará en color verde y ámbar alternativamente.

Antes de instalar una nueva batería, compruebe su nivel de carga mediante el botón de prueba de la batería. No se encenderá el medidor de batería si ésta se encuentra completamente descargada.

Para reemplazar una batería en el compartimento de la batería, realice los pasos siguientes.



*NOTA: para obtener instrucciones detalladas, consulte la Guía del usuario.*

1. Guarde el trabajo y cierre todos los archivos y programas abiertos.
2. Si el ordenador está acoplado, desacóplelo.
3. Si el compartimento modular contiene una batería, continúe en el paso 5.
4. Si la única batería del ordenador está en el compartimento de la batería, conecte el ordenador a una toma de corriente o conserve los datos mediante uno de estos métodos.

**AVISO: si decide cambiar la batería mientras el ordenador está en el modo de suspensión (o de espera), tendrá hasta 4 minutos para completar la sustitución de la batería. Transcurridos los 4 minutos, el ordenador se apagará y se perderá toda la información que no haya guardado.**

- Para Windows<sup>®</sup> 95, Windows 98, o Windows NT<sup>®</sup>, utilice el modo de suspensión o de espera.

Ponga el ordenador en modo de suspensión pulsando <Fn><Esc>, o pulsando <Bloq Despl><Esc> en un teclado externo si está activada la opción **External Hot Key** (tecla aceleradora externa) en el programa de configuración del sistema.

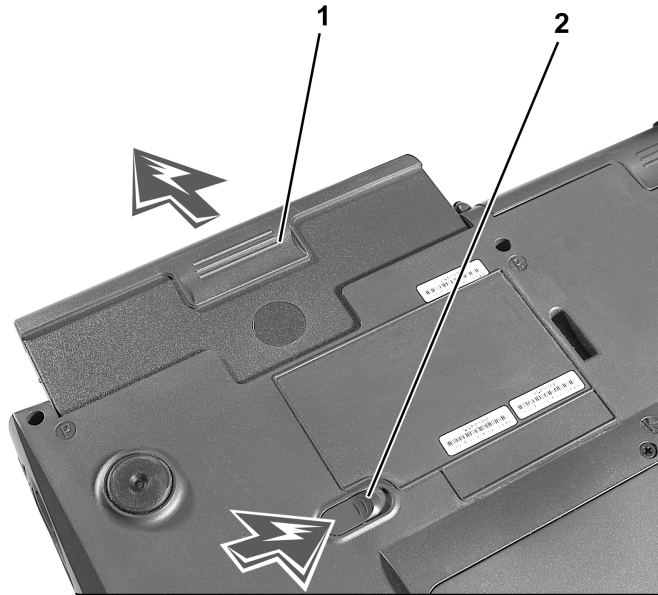
- Para Windows 95, Windows 98, o Windows NT, utilice el modo de suspensión o de espera.

Coloque el ordenador en el modo de suspensión con almacenamiento en disco pulsando <Fn><a> (o <Fn><q> en un teclado francés). Cuando se apague el indicador de alimentación verde, continúe.

- Para Windows 2000, utilice el modo de hibernación.

Dependiendo del modo en que configure los modos de administración de energía para Windows 2000, ponga el ordenador en el modo de hibernación pulsando sobre el botón **Inicio**, sobre **Apagar** y, a continuación, pulsando sobre **Hibernar**; o cerrando la pantalla.

5. Extraiga la batería del compartimento:
  - a. Cierre la pantalla del ordenador y coloque el ordenador en posición invertida.
  - b. Deslice el compartimento de la batería hacia un lado (consulte la Figura 4-6). Sujete el pestillo con una mano y extraiga la batería del compartimento con la otra.
  - c. Suelte el pasador después de extraer la batería.



**Figura 4-7. Extracción de una batería del compartimento de la batería**

- 
- 1** Batería
  - 2** Pestillo del compartimento de la batería
- 
6. Deslice la nueva batería firmemente en el compartimento de la batería. Cuando la batería esté totalmente asentada oírás un "clik".
  7. Dependiendo del modo de administración de energía en que se encuentre el ordenador, pulse el botón de alimentación o abra la pantalla para reanudar el funcionamiento normal.

## **Información para NOM (únicamente para México)**

La información siguiente se proporciona en el dispositivo o en los dispositivos descritos en este documento, en cumplimiento con los requisitos de la Norma Oficial Mexicana (NOM):

Exportador:	Dell Computer Corporation One Dell Way Round Rock, TX 78682
Importador:	Dell Computer de México, S.A. de C.V. Río Lerma No. 302 - 4º Piso Col. Cuauhtemoc 1650 México, D.F.
Embarcar a:	Dell Computer de México, S.A. de C.V. al Cuidado de Kuehne & Nagel de México S. de R.l. Avenida Soles No. 55 Col. Peñón de los Baños 15520 México, D.F.
Tensión alimentación:	100-240 VCA
Frecuencia:	60-50 Hz
Consumo de corriente (máxima):	1,5 A
Voltaje de salida:	20 VCC
Corriente de salida (máxima):	3,5 A

## Obtención de ayuda

Dell proporciona una serie de herramientas para ayudarle en el caso de que el ordenador no funcione como es de esperar. Consulte la *Guía del usuario*.

Si tiene un problema y no consigue acceder a la *Guía del usuario* en línea, utilice los Diagnósticos Dell para determinar la causa y solucionar el problema. Los Diagnósticos están disponibles en el *ResourceCD* (CD de recursos) que viene con el ordenador.



*NOTA: ejecute los Diagnósticos Dell antes de llamar a la asistencia técnica. Dichos Diagnósticos proporcionan información que podrá necesitar cuando haga la llamada.*

Para iniciar los Diagnósticos, siga estos pasos:

1. Apague el ordenador.
2. Desacople el ordenador si lo ha acoplado.
3. Encienda el ordenador.
4. Pulse <F2> cuando comience la rutina de inicialización para tener acceso al menú de configuración del sistema.



*NOTA: escriba la secuencia de inicialización actual por si deseara modificarla después de ejecutar los Diagnósticos Dell.*

5. Seleccione la siguiente secuencia de inicialización:
  - **Boot First Device (primer dispositivo de inicialización): Diskette Drive (unidad de disquete)**
  - **Boot Second Device (segundo dispositivo de inicialización): CD/DVD/CD-RW Drive (unidad de CD/DVD/CD-RW)**
  - **Boot Third Device (tercer dispositivo de inicialización): Internal HDD (Unidad de disco duro interna)**
6. Inserte el *ResourceCD* (CD de recursos) de Dell en la unidad de CD-ROM.
7. Apague el ordenador.
8. Encienda el ordenador. El ordenador se inicia y comienza a ejecutar automáticamente los Diagnósticos Dell.
9. Cuando se hayan ejecutado los diagnósticos, extraiga el *ResourceCD* de la unidad de CD-ROM.

Para cambiar la secuencia de inicialización, repita los pasos del 1 al 6, personalizándola para que se ajuste a sus necesidades y reinicie el ordenador.

Cuando se ejecutan los diagnósticos, aparece la pantalla del logotipo Dell, seguida de un mensaje que indica que se está cargando el programa de diagnósticos. Una vez cargado, aparecerá la ventana Diagnostics Menu (menú de diagnósticos).

Para seleccionar una opción de este menú, resalte la opción y pulse <Intro>, o pulse la tecla que corresponda a la letra resaltada en la opción que elija.